

CLINGLITE SERIES EMERGENCY LIGHTING UNIT

By

CHLORIDE SYSTEMS

CLB6/12L, CLB6/12N

INSTALLATION AND OPERATING INSTRUCTIONS

IMPORTANT SAFEGUARDS

When using electrical equipment, basic safety precautions should always be followed, including the following:

READ AND FOLLOW ALL SAFETY INSTRUCTIONS

All servicing should be performed by qualified personnel only.

Do not use this equipment outdoors.

Equipment should be mounted in locations and at heights where it will not readily be subjected to tampering by unauthorized personnel.

The use of accessory equipment not recommended by the manufacturer may cause an unsafe condition.

Do not let power supply cords touch hot surfaces.

Do not mount near gas or electric heaters.

CAUTION: Halogen cycle lamp(s) are used in this equipment.

To avoid shattering: Do not operate lamp in excess of rated voltage, protect lamp against abrasion and scratches and against liquids when lamp is operating, dispose of lamp with care.

Halogen cycle lamps operate at high temperatures. Do not store or place flammable materials near lamp.

CAUTION: "To avoid electrical overload, total connected lamp load (factory and field installed) should not exceed output rating."

Do not use this equipment for other than intended use.

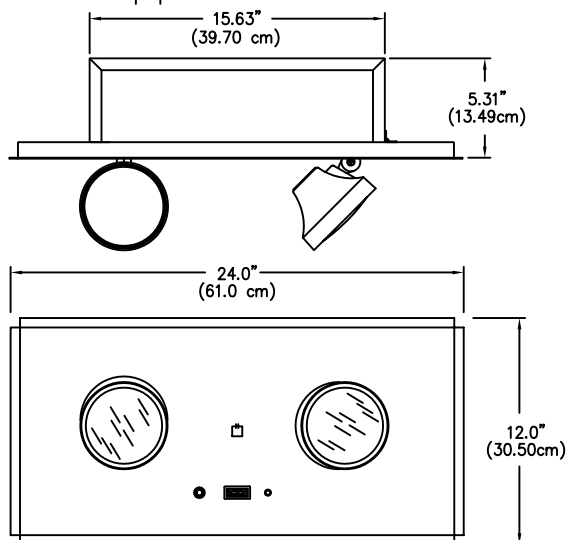


FIGURE 1

SAVE THESE INSTRUCTIONS

WARNING

Shut off AC power to branch circuits to which units will be connected. All wiring should be per National Electrical Code and local regulations.

INSTRUCTIONS INSTALLATION

(See Figure 1 for Cabinet Dimensions)

1. This unit is intended for installation in grid type suspended ceilings only. (See figure 2)
2. Remove appropriate cabinet knockouts to accept AC power.

5. Make electrical hookups at this time as follows:

120 VAC OPERATION

White Wire – Common
Black Wire – 120V Line
Green Wire – Ground

277 VAC OPERATION

White Wire – common
Blue Wire – 277V Line
Green Wire – Ground

Unused primary wire must be insulated to prevent shorting.

6. See page 2 for battery connections.

INSTRUCTIONS – OPERATING

1. Energize AC power to equipment and check that pilot lamp illuminates red.
2. Press test switch and verify pilot lamp turns off and lamp heads illuminate.
3. Leave AC connected for a minimum of 24 hours before performing any abbreviated testing. Full recharge of battery may take up to one (1) week.

CLINGLITE SERIES

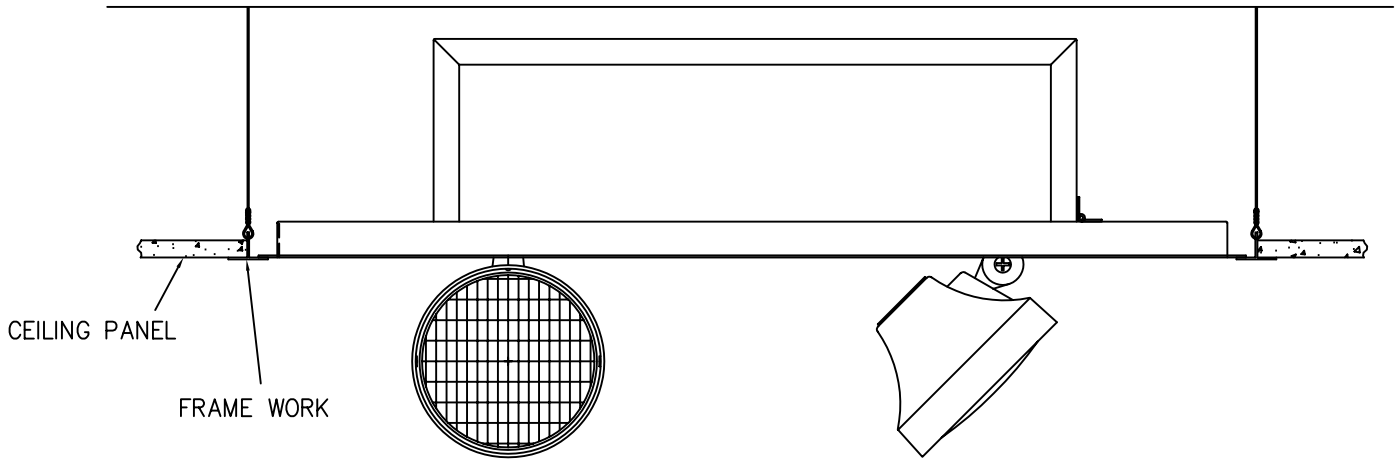


FIGURE 2

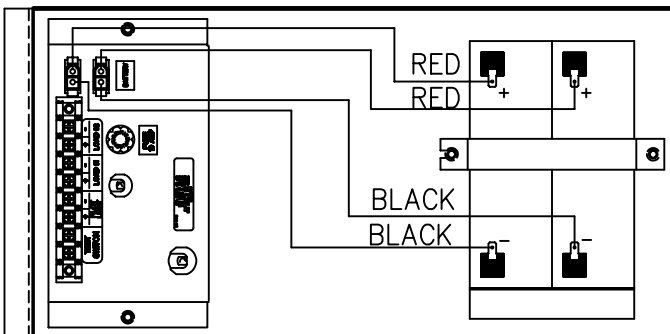
NOTE:

- A. This equipment is provided with a lockout feature whereby connecting battery leads prior to energizing AC power will not turn on the emergency lamps. After AC power is energized the emergency lamps will turn on upon AC power failure.
- B. This equipment is provided with a low battery disconnect feature which prevents full discharge of batteries. If the building is to be unoccupied for an extended period and AC power is shut off, the batteries should be disconnected from the charger to prevent damage.
- C. The batteries provided in this equipment are sealed and require no maintenance.

BATTERY CONNECTIONS:

NOTE: Batteries must be connected exactly as shown or equipment failure will result.

CLB6L50 SHOWN



CLB12N50 SHOWN

