

NEMA LED EXITS

By
CHLORIDE
SYSTEMS

N2HLR, N2HLG TWO-HEAD EMERGENCY NEMA LED EXIT INSTALLATION AND OPERATING INSTRUCTIONS

IMPORTANT SAFEGUARDS

When using electrical equipment, basic safety precautions should always be followed, including the following:

READ AND FOLLOW ALL SAFETY INSTRUCTIONS

All servicing should be performed by qualified personnel only.

Do not mount near gas or electric heaters.

Equipment should be mounted in locations and at heights where it will not readily be subjected to tampering by unauthorized personnel.

The use of accessory equipment not recommended by the manufacturer may cause an unsafe condition.

Do not let power supply cords touch hot surfaces.

Do not mount near open flames or sparks.

Do not use this equipment for other than intended use.

Do not use this equipment outdoors.

CAUTION: Halogen cycle lamp(s) are used in this equipment. To avoid shattering: Do not operate lamp in excess of rated voltage, protect lamp against abrasion and scratches and against liquids when lamp is operating, dispose of lamp with care.

Halogen cycle lamps operate at high temperatures. Do not store or place flammable materials near lamp.

"To avoid electrical overload, total connected lamp load (factory and field installed) should not exceed output rating."

SAVE THESE INSTRUCTIONS

WARNING

Shut off AC power to branch circuits to which units will be connected. All wiring should be per National Electrical Code and local regulations.

INSTRUCTIONS - INSTALLATION

These units are designed for 120/277VAC, 60 Hz operation.

1. Prior to mounting on the wall, determine the easiest routing for the AC service.
2. Remove cover, exit lens, lens brackets and p.c. board assy. (Fig. 2)
3. Disconnect top edge connector from p.c. board assy. (Fig. 1). Carefully set pc assy. aside.
4. Determine location for AC service entry and ensure no internal components will be damaged when enclosure is drilled.
5. Drill hole in enclosure to accommodate the AC service entry.
6. Mount housing to wall using (4) thru mounting holes or optional mounting feet. (Fig. 3 on page 2)
7. Install AC service.

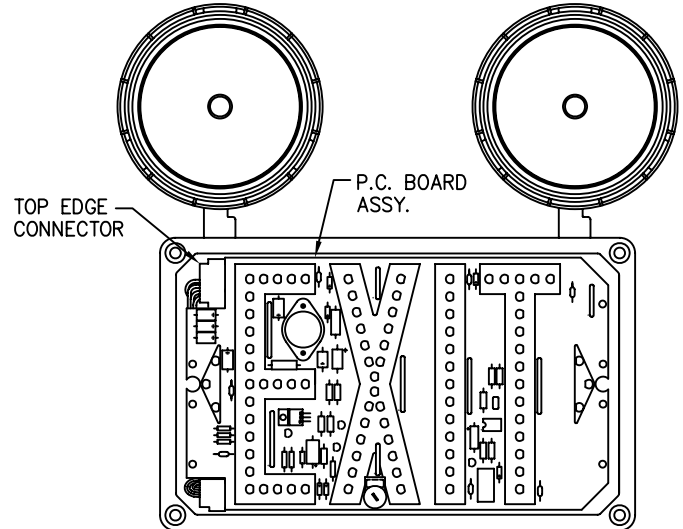


FIG. 1

8. Hookup AC service to the connector assembly as follows.

120 VAC OPERATION

Black Wire -120V Line
White Wire -Common
Green Wire -Ground

277 VAC OPERATION

Blue Wire -277V Line
White Wire -Common
Green Wire -Ground

NOTE: Unused primary wire must be insulated to prevent shorting.

Note: Connect supply ground to both green wires from unit chassis and unit AC service connector.

9. If Fire Alarm Flasher is used:
 - Connect RED wire to 24VDC POSITIVE
 - Connect YELLOW wire to 24VDC NEGATIVE.
 Use wire nuts for connection, (not supplied).

Note: If heads are factory installed disregard note 10.

10. Remote head(s) hookup only: (Fig. 4 on page 2)
Total remote load must not exceed 6V 12W.
 - A) Connector (1) wire lead from each heads to (1) yellow flying wire leads from chassis assy with wire nut.
 - B) Connect remaining wire lead from each head to remaining yellow flying wire lead from chassis assy. with wire nut.
(Wire nuts not supplied)
11. Make battery connections as follows: (Fig. 5 on page 2)
 - Connect RED wire to BATTERY (+)
 - Connect BLACK wire to BATTERY (-)

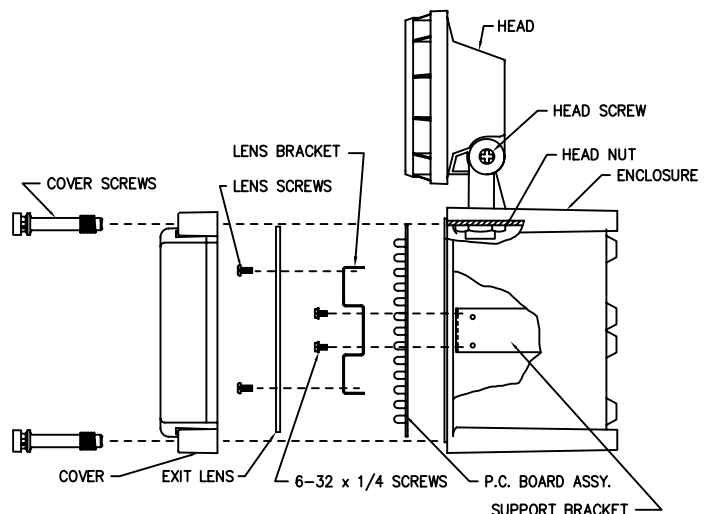


FIG. 2

N2HLR/G EMREGENCY NEMA LED EXIT

12. Adjust head(s) as follows: (Fig. 2 on page 1)

Rotation – Loosen swivel nut and rotate head to desired position.

Angle – Loosen head screw sufficiently to allow internal teeth to disengage. Position head to desired angle.

Retighten both nut and screw.

13. Reconnect top edge connector to p.c. board assy. (Leds may light at this time)

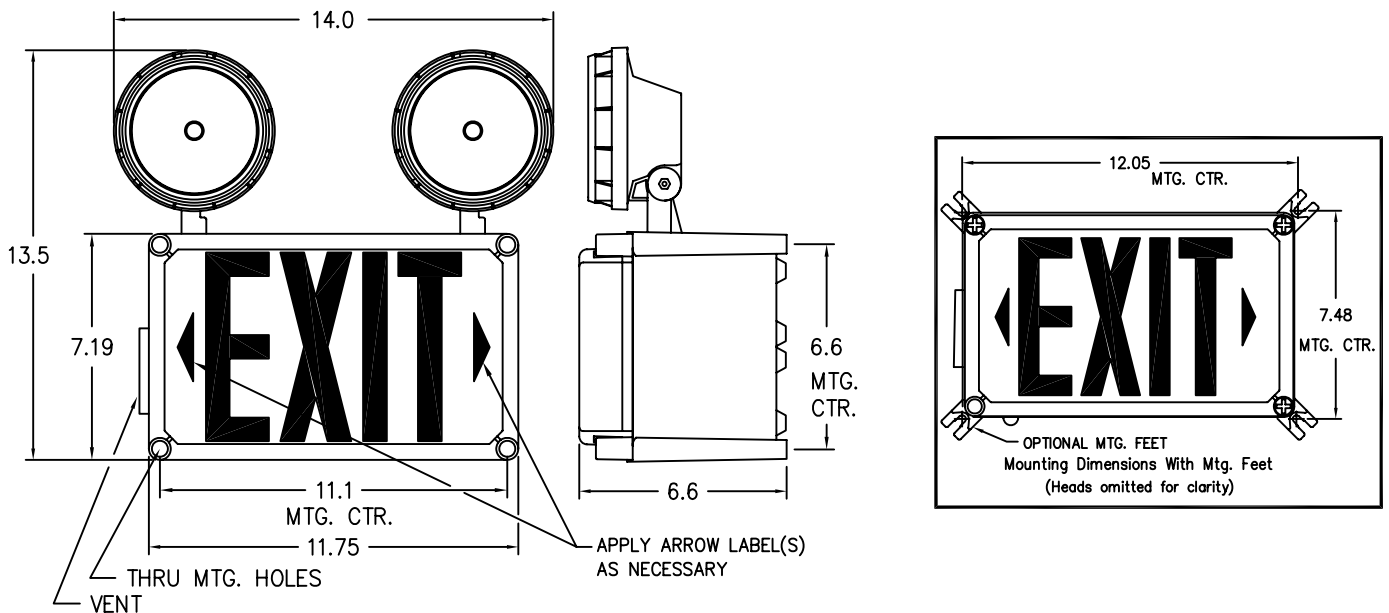
14. Carefully reassemble p.c. board assy., lens brackets and exit lens in place.

15. Arrow labels with selfadhesive backing are supplied. Apply label(s) to exit lens as necessary. (Fig. 3)

16. Reassemble cover in place and remove protective blue film.

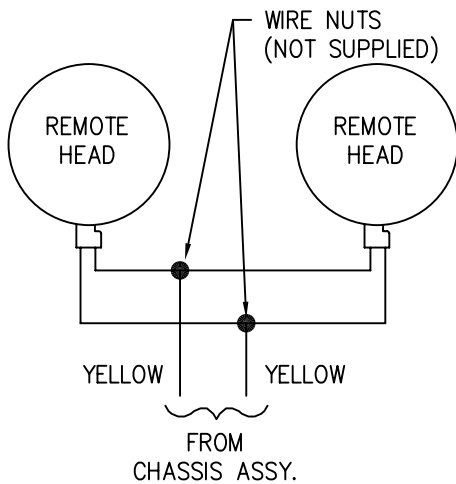
INSTRUCTIONS - OPERATION

1. Energize AC power to unit. LED panel and charge indicator should illuminate.
2. Press test switch – indicator light should extinguish and LED panel should remain illuminated.
3. Leave AC connected for a minimum of 24 hours before performing any abbreviated testing. Full recharge of battery may take up to one (1) week.



Mounting Dimensions Without Mtg. Feet

FIG. 3



Remote Head Hookup
for Headless Exit
FIG. 4

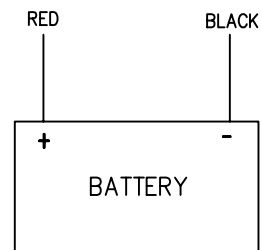


FIG. 5