

# NEMA LED EXITS

By  
**CHLORIDE**  
SYSTEMS

# NACL1R , NACL1G SINGLE FACE AC NEMA LED EXIT INSTALLATION AND OPERATING INSTRUCTIONS

## IMPORTANT SAFEGUARDS

When using electrical equipment, basic safety precautions should always be followed, including the following:

## READ AND FOLLOW ALL SAFETY INSTRUCTIONS

All servicing should be performed by qualified personnel only.

Do not mount near gas or electric heaters.

Equipment should be mounted in locations and at heights where it will not readily be subjected to tampering by unauthorized personnel.

The use of accessory equipment not recommended by the manufacturer may cause an unsafe condition.

Do not let power supply cords touch hot surfaces.

Do not mount near open flames or sparks.

Do not use this equipment for other than intended use.

Do not use this equipment outdoors.

## SAVE THESE INSTRUCTIONS

### WARNING

Shut off AC power to branch circuits to which units will be connected. All wiring should be per National Electrical Code and local regulations.

### INSTALLATION INSTRUCTIONS

These units are designed for 120/277VAC, 60 Hz operation.

1. Prior to mounting on the wall, determine the easiest routing for the AC service entry.
2. Remove cover, exit lens, lens brackets and p.c. board assy. (Fig. 2)
3. Disconnect AC service (4 circuit) connector from mating connector.
4. Determine location for AC service entry and ensure no internal components will be damaged when enclosure is drilled.
5. Drill hole in enclosure to accommodate AC service entry.

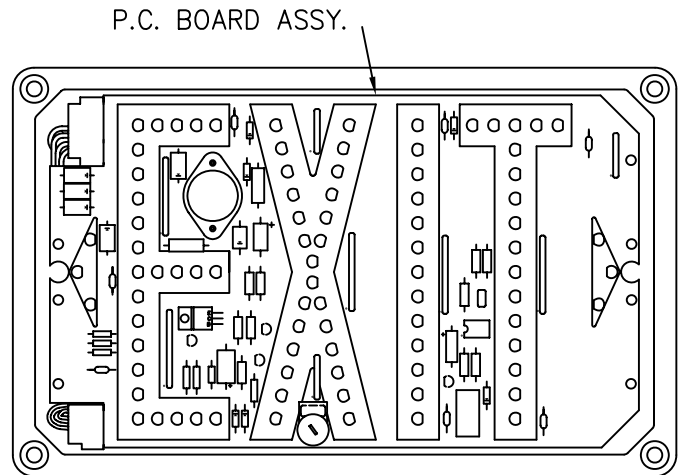


FIGURE 1

6. Mount housing to wall using (4) thru mounting holes or optional mounting feet. (Fig. 3 on page 2)
7. Install AC service conduit.

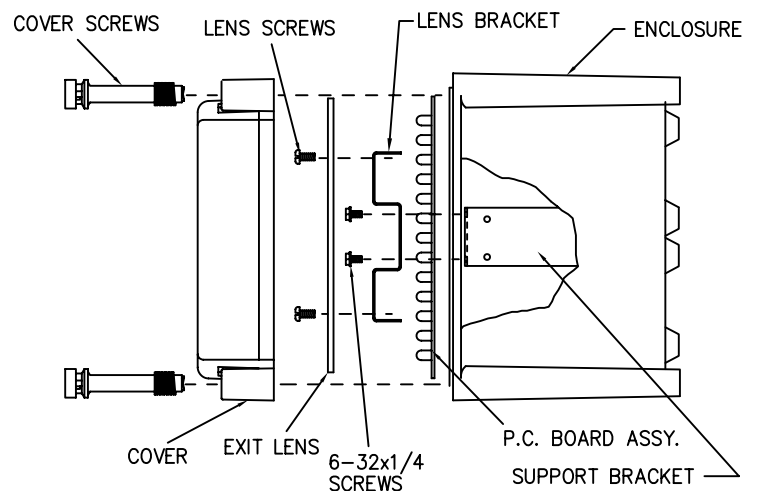


FIGURE 2

# NACL SINGLE FACE AC NEMA LED EXIT

8. Hookup AC service to the connector assembly as follows.

**120 VAC OPERATION**

Black Wire –120V Line  
 White Wire –Common  
 Green Wire –Ground

**277 VAC OPERATION**

Blue Wire –277V Line  
 White Wire –Common  
 Green Wire –Ground

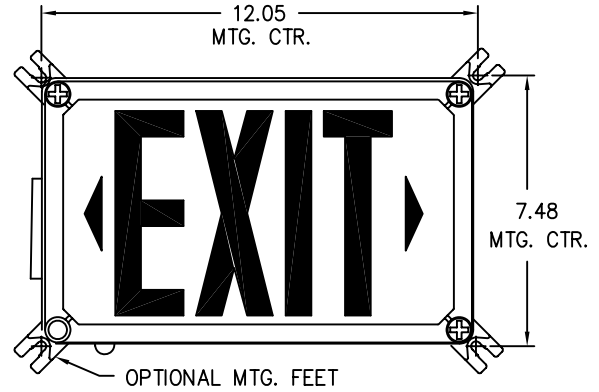
Unused primary wire must be insulated to prevent shorting.

Note: Connect supply ground to both green wires from unit chassis and unit AC service connector.

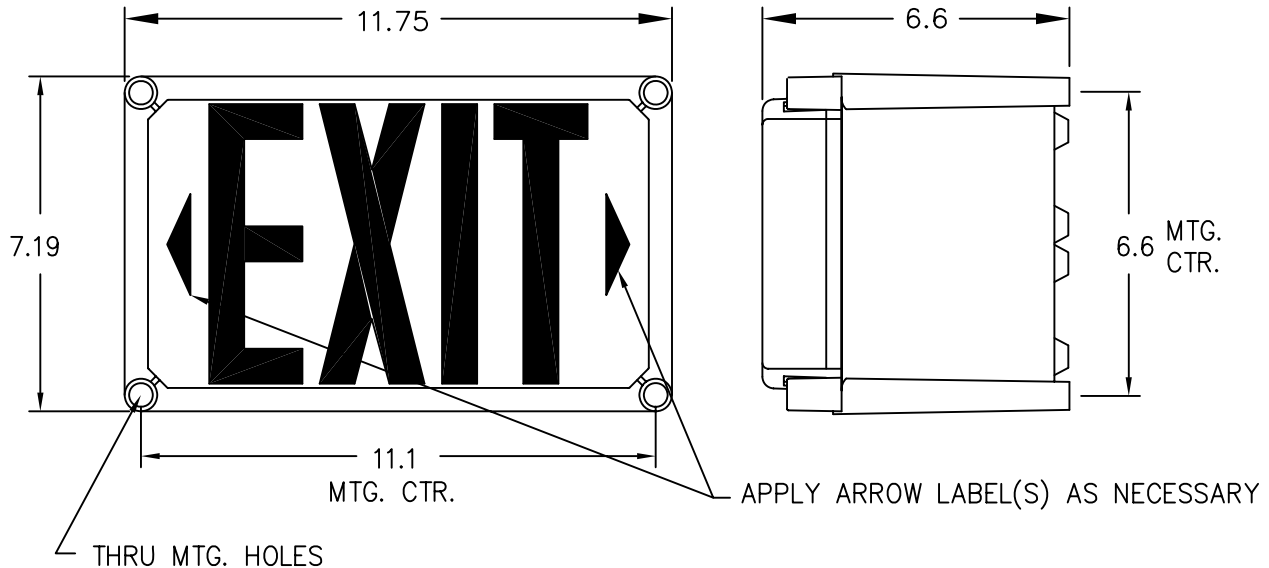
9. If Fire Alarm Flasher is used:  
 –Connect RED wire to 24VDC POSITIVE  
 –Connect YELLOW wire to 24VDC NEGATIVE.  
 Use wire nuts for connection, (not supplied).
10. Reconnect AC service connector.
11. Carefully reassemble p.c. board assy., lens brackets and exit lens in place.
12. Arrow labels with self-adhesive backing are supplied. Apply label(s) to exit lens as necessary. (Fig. 3)
13. Reassemble cover in place and remove protective blue film.

## OPERATION INSTRUCTIONS

1. Energize AC power to unit. LED panel should illuminate.



Mounting Dimensions With Mtg. Feet



Mounting Dimensions Without Mtg. Feet

FIGURE 3