

NEMA 4X UNITS

By

CHLORIDE SYSTEMS

LEAD UNITS	4X6L18 4X6L25 4X6L36 4X6L50 4X12L36 4X12L50	NiCd UNITS	4X6N18 4X6N14 4X6N25 4X6N50 4X12N50
------------	--	------------	---

INSTALLATION AND OPERATING INSTRUCTIONS

IMPORTANT SAFEGUARDS

When using electrical equipment, basic safety precautions should always be followed, including the following:

READ AND FOLLOW ALL SAFETY INSTRUCTIONS

All servicing should be performed by qualified personnel only.

Do not mount near gas or electric heaters.

Equipment should be mounted in locations and at heights where it will not readily be subjected to tampering by unauthorized personnel.

The use of accessory equipment not recommended by the manufacturer may cause an unsafe condition.

Do not let power supply cords touch hot surfaces.

Do not mount near open flames or sparks.

Do not use this equipment for other than intended use.

Do not use this equipment outdoors.

CAUTION: "To avoid electrical overload, total connected lamp load (factory and field installed) should not exceed output rating."

SAVE THESE INSTRUCTIONS

WARNING

Shut off AC power to branch circuits to which units will be connected. All wiring should be per National Electrical Code and local regulations.

INSTALLATION INSTRUCTIONS

These units are designed for 120 or 277VAC, 60Hz operation.

1. Prior to mounting on the wall, determine the easiest routing for the AC service cable.
2. Remove cover. (Fig. 1)
4. Determine location for AC service entry and ensure no internal components will be damaged when enclosure is drilled.
5. Drill 7/8"(.875) dia. hole in enclosure to accommodate the watertight compression fitting supplied.

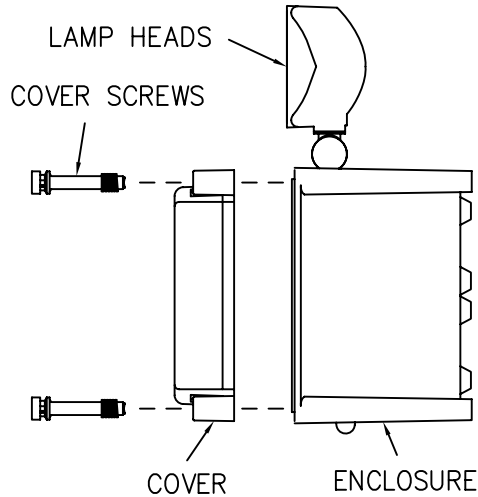


FIGURE 1

1. APPLY COMPRESSION NUT OVER CORD.
2. SLIP ON RUBBER BUSHING.
3. POSITION BODY W/O-RING ON CORD, THEN SLIDE PRECEDING COMPONENTS TO BODY FOR ASSEMBLY.
4. HAND TIGHTEN TO ASSURE A LIQUID TIGHT SEAL.
5. STRIP CORD JACKET AS REQUIRED
6. SECURE TO ENCLOSURE WITH LOCKNUT

WHEN CORD DIAMETER IS TOO LARGE TO PASS THROUGH THE BODY, STRIP OFF CORD JACKET TO END OF RUBBER BUSHING. MAKE SURE THAT JACKET IS COMPLETELY COVERED BY BUSHING WHEN ASSEMBLED.

CABLE SELECTION CHART ☉	
TYPE	STYLE
18-2	SV, SVO, SVT, SJ, SJO, SJT, SJTO
18-3	
16-2	SJ, SJO, SJT, SJTO
16-3	
16-4	
14-2	

☉ Cord grip range is .250-.375. Cable diameters may vary depending upon manufacturer.

FIGURE 2

NEMA 4X UNITS

6. Mount enclosure to wall using 4 thru mounting holes or optional mounting feet. (Fig. 3)
7. Install AC service cable and compression fitting. (Fig. 2 on page 1)
8. **REMOTE LAMP HOOKUP:** Connect one wire from each Remote Lamp to yellow fly wire from charger P.C. Board. Connect remaining wire from each Remote lamp to white fly wire from charger P.C. Board.
NOTE: All Remote lamps are to be connected in parallel.
9. Hookup AC service to the connector assembly as follows.

120 VAC OPERATION

Black Wire -120V Line
White Wire -Common
Green Wire -Ground

277 VAC OPERATION

Blue Wire -277V Line
White Wire -Common
Green Wire -Ground

Unused primary wire must be insulated to prevent shorting.

10. Make battery connections at this time. (For appropriate battery(ies) hookup configuration see Fig. 4 on page 3).
11. Adjust lamp heads at this time. (Fig. 5 on page 4)
12. Reassemble cover to enclosure.

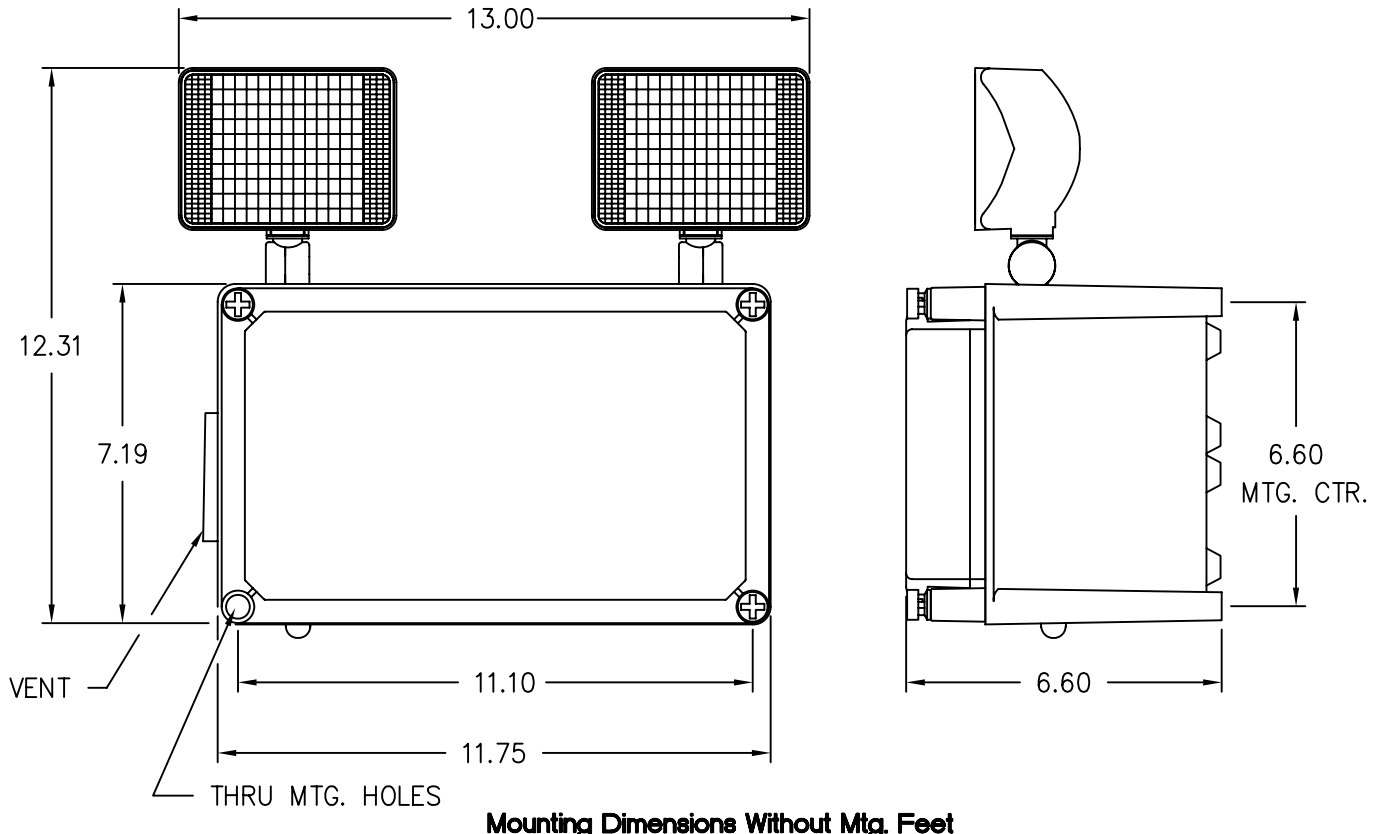
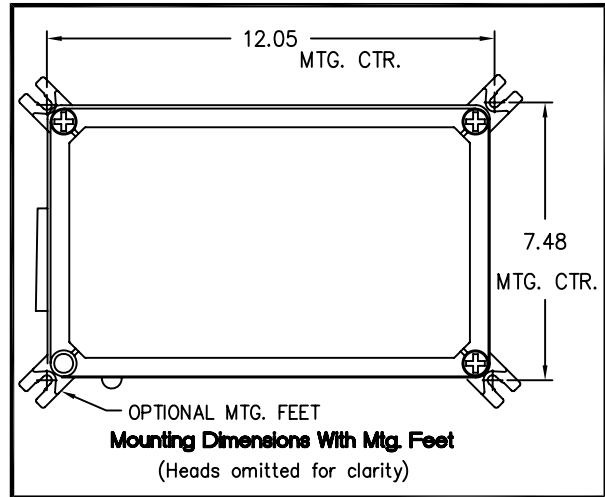
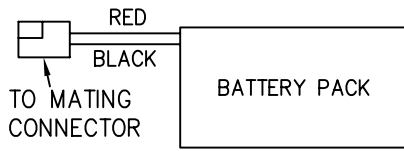


FIGURE 3

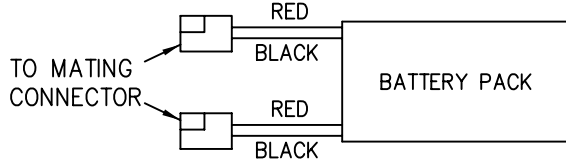
Mounting Dimensions Without Mtg. Feet

NEMA 4X UNITS

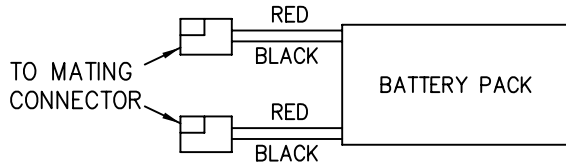
BATTERY HOOKUP CONFIGURATIONS



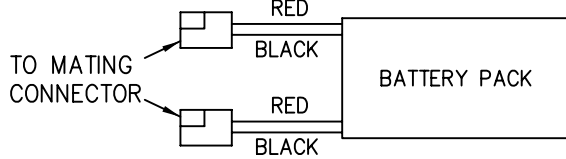
4X6N14



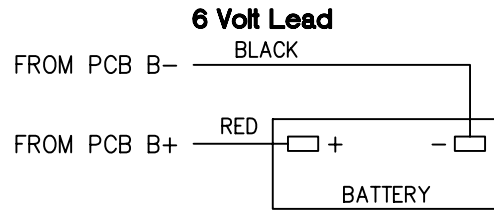
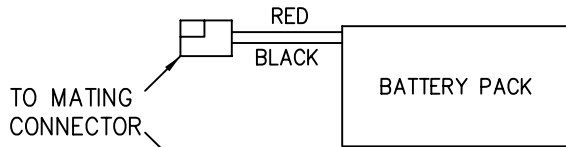
4X6N18, 4X6N25



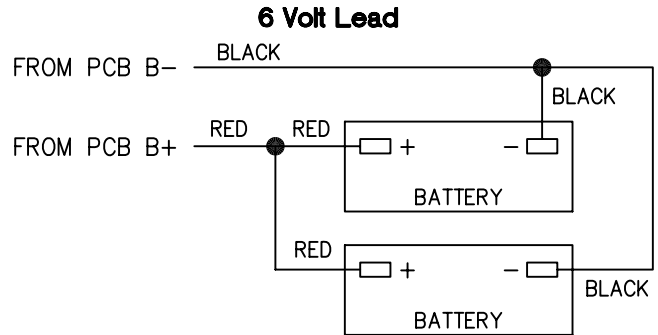
4X6N50



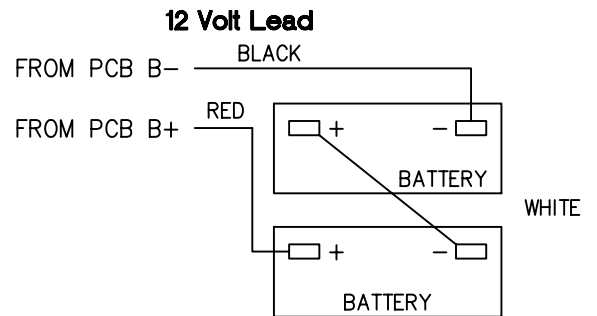
4X12N50



4X6L18, 4X6L25



4X6L36, 4X6L50



4X12L36, 4X12L50

FIGURE 4

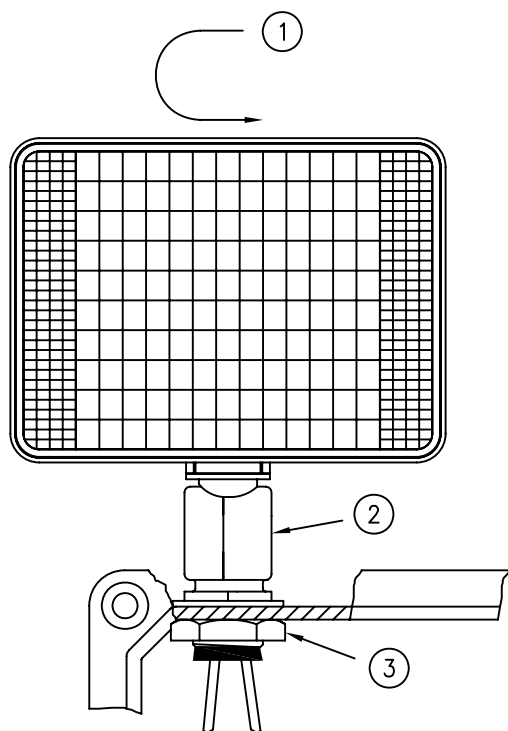
NEMA 4X UNITS

OPERATING INSTRUCTIONS

1. Energize AC power to equipment and check that pilot lamp illuminates.
2. Press test switch and verify pilot lamp turns off and lamp heads illuminate.
3. Leave AC connected for a minimum of 24 hours before performing any abbreviated testing. Full recharge of battery(ies) may take up to one (1) week.

NOTES:

- A. This equipment is provided with a lockout feature whereby connecting battery leads prior to energizing AC power will not turn on the emergency lamps. After AC power is energized the emergency lamps will turn on upon AC power failure.
- B. This equipment is provided with a low battery disconnect feature which prevents full discharge of batteries. If the building is to be unoccupied for an extended period of time and AC power is shut off, the batteries should be unplugged from the charger to prevent damage.
- C. The batteries provided in this equipment are sealed and require no maintenance.



LAMP HEAD ADJUSTMENT:

- 1) Lamp head rotates around yoke.
- 2) Adjust head angle.
- 3) Loosen nut inside enclosure to redirect yoke and swivel base.

FIGURE 5