

LAC SEMI-RECESSED AC EXIT SIGN

By
**CHLORIDE
SYSTEMS**

SUITABLE FOR FLOOR PROXIMITY INSTALLATION INSTALLATION AND OPERATING INSTRUCTIONS

SAVE THESE INSTRUCTIONS

WARNING - Shut off AC power to branch circuits to which units will be connected. All wiring should be per National Electrical Code and local regulations.

INSTALLATION INSTRUCTIONS

1. Remove (2) screws from frame and separate from backplate.
2. Stencil may now be removed from frame assembly to knockout required arrow(s). (See figure 2)
3. Assemble backplate to outlet box. Pull AC service wires through backplate before securing.
4. Make connections from AC service to exit wires as follows:

<u>120V Unit</u>	<u>277V Unit</u>
Black wire to line	Blue wire to line
White wire to common	White wire to common
Green wire to ground	Green wire to ground

NOTE: UNUSED PRIMARY WIRES MUST BE INSULATED TO PREVENT SHORTING.

5. Push wires into outlet box.
6. Place frame assembly over backplate and align (2) clearance cutouts in frame (see figure 2) with (2) upright tabs of the backplate (see figure 1). Slide frame upwards until the frame clears the (3) offset tabs at the top of the backplate. Then slide frame down locking in the frame to the (3) offset tabs. Frame should now sit flush. Attach (2) screws in bottom side of frame assembly to upright tabs of backplate.

OPERATING INSTRUCTIONS

1. Energize AC and check that exit is illuminated.

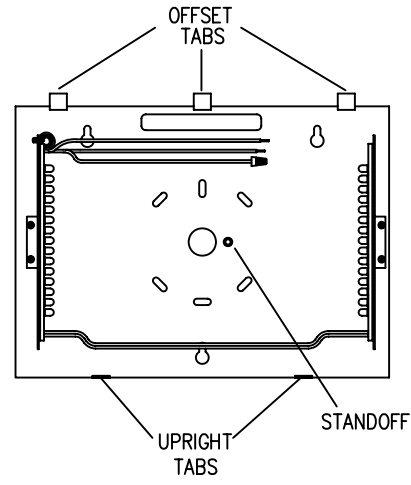


FIGURE 1

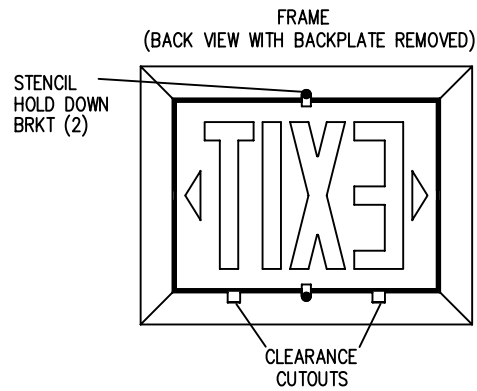


FIGURE 2

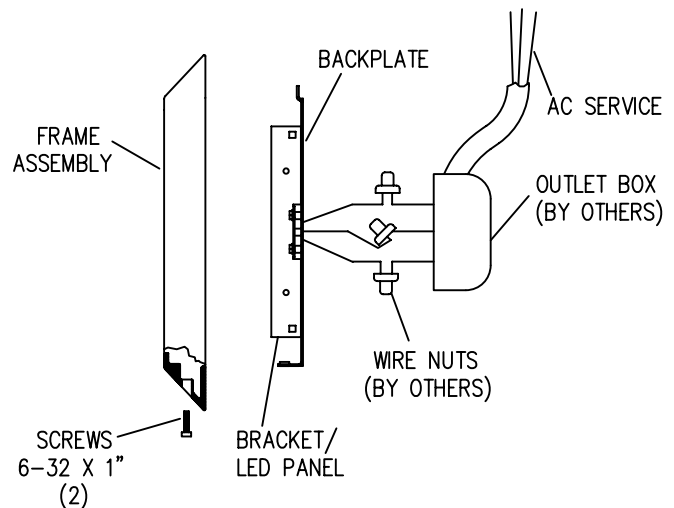


FIGURE 3