

# TNM75/100

## EMERGENCY LIGHTING EQUIPMENT

By

# CHLORIDE

## SYSTEMS

# INSTALLATION AND OPERATING INSTRUCTIONS

## IMPORTANT SAFEGUARDS

When using electrical equipment, basic safety precautions should always be followed, including the following:

## READ AND FOLLOW ALL SAFETY INSTRUCTIONS

All servicing should be performed by qualified personnel only.

Do not use this equipment outdoors.

Equipment should be mounted in locations and at heights where it will not readily be subjected to tampering by unauthorized personnel.

The use of accessory equipment not recommended by the manufacturer may cause an unsafe condition.

Do not let power supply cords touch hot surfaces.

Do not mount near gas or electric heaters.

**CAUTION:** Halogen cycle lamp(s) are used in this equipment. To avoid shattering: Do not operate lamp in excess of rated voltage, protect lamp against abrasion and scratches and against liquids when lamp is operating, dispose of lamp with care.

Halogen cycle lamps operate at high temperatures.

Do not store or place flammable materials near lamp.

**CAUTION:** "To avoid electrical overload, total connected lamp load (factory and field installed) should not exceed output rating."

Do not use this equipment for other than intended use.

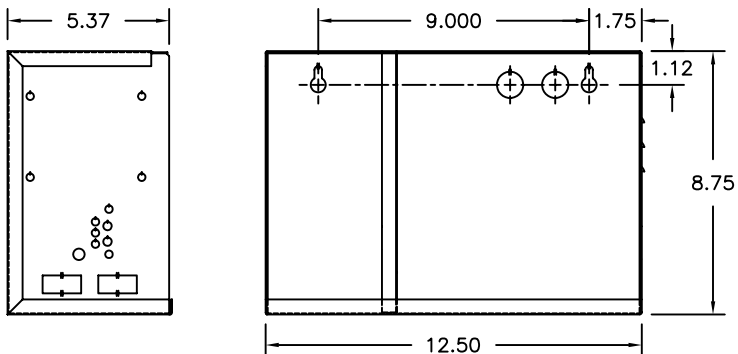


FIGURE 1

## SAVE THESE INSTRUCTIONS

### WARNING

Shut off AC power to branch circuits to which units will be connected. All wiring should be per National Electrical Code and local regulations.

### INSTALLATION INSTRUCTIONS

(Refer to figure 1 for cabinet dimensions)

1. Remove (2) cover screws and cover and set both aside.
2. Remove the (4) charger screws located on left end of the cabinet, lift out charger and set aside.
3. Cabinet may be mounted directly to a wall or optional shelf (P/N. MJSHELF) may be utilized.

**NOTE:** Fasteners used to mount cabinet or shelf must be able to support a minimum load of 100Lb.

4. Remove appropriate conduit and keyhole knockouts and mount cabinet or shelf and cabinet.
5. Replace charger and mount lamp heads to top of cabinet as required.
6. Make lamp connections as follows:
  - a. Connect unit mounted lamps to yellow wires. One wire from each lamp connects to one of the yellow wires. Remaining wire from each lamp connects to the remaining yellow wire.
  - b. Connect remote lamps to red and gray wires. One wire from each remote lamp connects to the red wire. Remaining wire from each remote lamp connects to the gray wire.

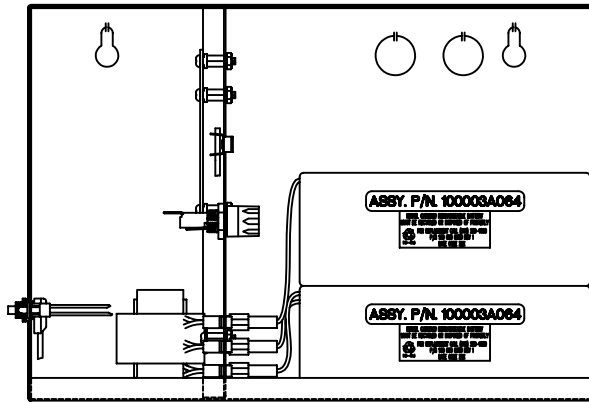
**NOTE:** All lamps are to be connected in parallel.

7. Connect AC service to unit charger leads:

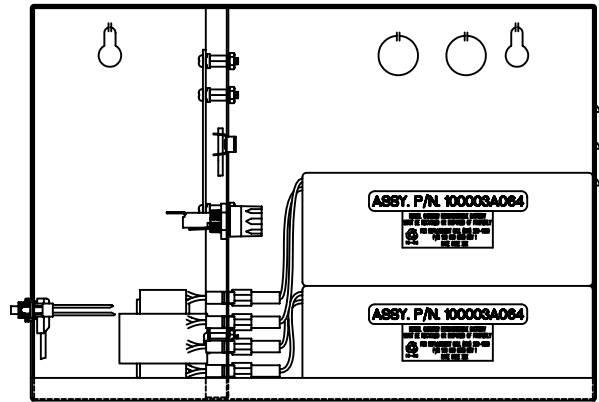
Blue - 277VAC	Green - Ground
Brown - 220VAC	White - Common
Black - 120VAC	

Unused primary wire must be insulated to prevent shorting

8. Connect batteries to charger by inserting battery connectors into mating connectors on the charger chassis. (See figure 2)
9. Close cover and secure with provided screws (2).



TNM75  
(3 BATTERIES)



TNM100  
(4 BATTERIES)

**FIGURE 2**  
(TYP BATTERY HOOKUP)

## OPERATING INSTRUCTIONS

1. Energize AC supply to unit, the pilot light should illuminate.
2. Press "TEST" switch, lamp fixtures should turn on and pilot light should turn off.  

Note: Lamps may illuminate briefly. If lamps do not illuminate at all, let unit charge 15 min. Then retry "TEST" switch.
3. Leave AC connected for a minimum of 24 hours before performing any abbreviated testing. Full recharge of batteries may take up to one (1) week.
4. The battery provided in this equipment is sealed and requires no maintenance.

### NOTE:

1. This equipment is provided with a lockout feature whereby connecting battery leads prior to energizing AC power will not turn on the emergency lamps. After AC power is energized the emergency lamps will turn on upon AC power failure.
2. This equipment is provided with a low battery disconnect feature which prevents full discharge of batteries. If the building is to be unoccupied for an extended period and AC power is shut off, the batteries should be unplugged from the charger to prevent damage.