

EXCEL SERIES

By

CHLORIDE

SYSTEMS

12 WATT AND 30 WATT COMBINATION STEEL EXITS INSTALLATION AND OPERATING INSTRUCTIONS

IMPORTANT SAFEGUARDS

When using electrical equipment, basic safety precautions should always be followed, including the following:

READ AND FOLLOW ALL SAFETY INSTRUCTIONS

All servicing should be performed by qualified personnel only.

Do not use this equipment outdoors.

Do not mount near gas or electric heaters.

Equipment should be mounted in locations and at heights where it will not readily be subjected to tampering by unauthorized personnel.

The use of accessory equipment not recommended by the manufacturer may cause an unsafe condition.

Do not use this equipment for other than intended use.

Do not let power supply cords touch hot surfaces.

Do not mount near open flames or sparks.

Do not install equipment in areas of excessive moisture.

WARNING - Shut off AC power to branch circuits to which units will be connected. All wiring should be per National Electrical Code and local regulations.

To maintain warranty, equipment with batteries must be installed or placed on charge within prescribed period after shipment.

INSTRUCTIONS - INSTALLATION

Determine mounting method required and select appropriate instruction from following list. Electrical hookups may be made inside power pack after mechanical assembly is completed. All parts needed to mount the exit are supplied with the exception of wire nuts for AC supply connections and wire ties for end mounting.

CAUTION: To avoid electrical overload total connected lamp load (factory and field installed) should not exceed output rating.

A. Top or End Mount With Canopy

(See Figures 2 or 3)

1. Assemble canopy mounting plate to outlet box.
2. Route AC service (line, common and ground) through hole in center of mounting plate.

NOTE: For end mount remove head from exit assembly. Cap off cut head wires inside exit assembly with wire nuts not supplied.

SAVE THESE INSTRUCTIONS

INSTRUCTIONS - GENERAL

Chevron Removal See Figure 1.

1. Remove stencil face door(s) from exit frame.
2. Remove lens.
3. Remove desired chevron knockout in stencil door(s).
4. Remove backing from double sided tape on stencil door, center lens over stencil face and press down firmly against double sided tape.

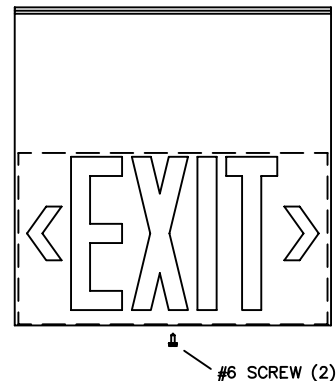


FIGURE 1

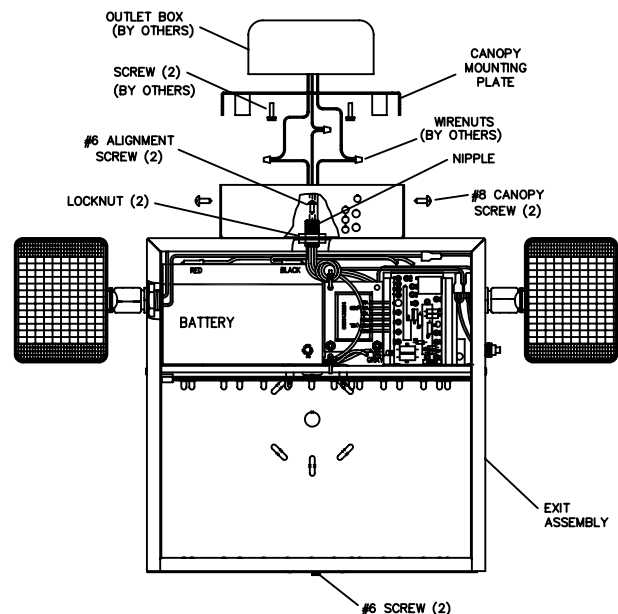


FIGURE 2

EXCEL SERIES COMBINATION STEEL EXITS

3. Remove appropriate knockouts in exit frame to mount canopy to exit frame.
4. Mount canopy to exit frame using #6 alignment screws (2) provided.
5. Insert nipple into hole in canopy and exit frame and secure using (2) locknuts provided.
6. Route AC service wires (blue, black, white and green) from exit through nipple into canopy.
7. Make electrical hookups as described on page 2.
8. Mount exit assembly to canopy mounting plate using #8 screws (2) provided.

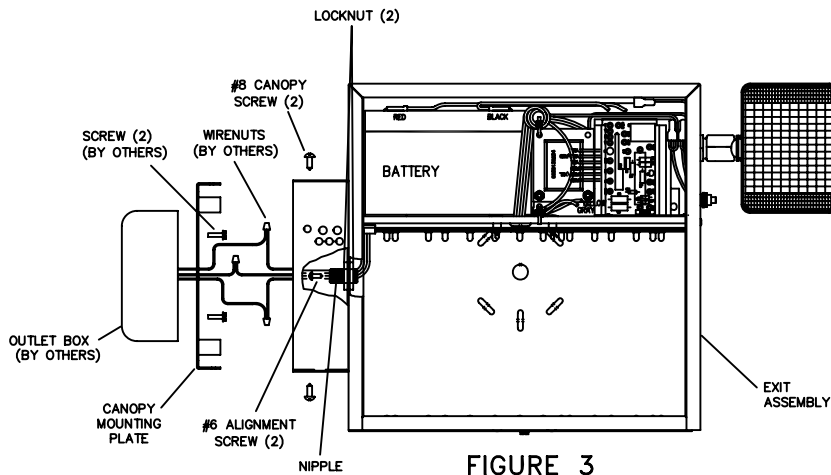
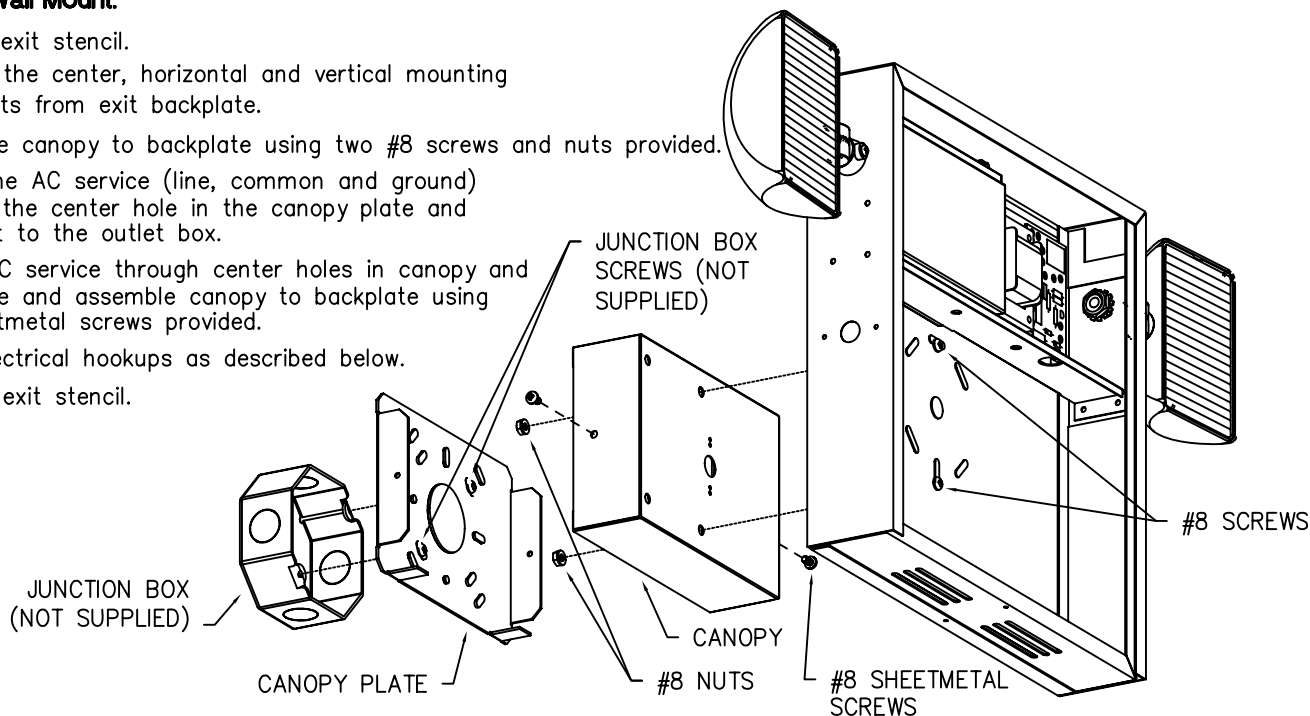


FIGURE 3

B. Surface Wall Mount.

1. Remove exit stencil.
2. Remove the center, horizontal and vertical mounting knockouts from exit backplate.
3. Assemble canopy to backplate using two #8 screws and nuts provided.
4. Route the AC service (line, common and ground) through the center hole in the canopy plate and mount it to the outlet box.
5. Route AC service through center holes in canopy and backplate and assemble canopy to backplate using #8 sheetmetal screws provided.
6. Make electrical hookups as described below.
7. Replace exit stencil.



C. INSTRUCTIONS - INTERNAL WIRING HOOKUP

1. Remove backing from double sided tape on bottom of battery. Firmly press battery onto shelf in exit assembly. Connect red lead to positive (+) battery terminal. Connect black lead to negative (-) battery terminal.

WARNING: Battery must be connected as described to prevent possible damage or failure.

2. Make electrical hookups at this time as follows:

120V Unit
Black wire to 120V
White wire to common
Green wire to ground

277V Unit
Blue wire to 277V
White wire to common
Green wire to ground

Unused primary wire must be insulated to prevent shorting.

3. If Fire Alarm Flasher option is used:
 - Connect RED wire to 24VDC POSITIVE
 - Connect YELLOW wire to 24VDC NEGATIVE
 Use wire nuts for connection, (not supplied).
4. Replace exit door(s) and secure with #6 screw(s).

D. INSTRUCTIONS - REMOTE LAMP HOOKUP (30W EXITS ONLY)

1. Locate gray and yellow flying lead wires connected to RL- and RL+ on p.c. board assy.
 - Connect one wire from each lamphead to Gray wire.
 - Connect remaining wire from each lamphead to Yellow wire.
 Use wire nuts for connection, (not supplied).

E. INSTRUCTIONS - OPERATING

1. Energize AC to exit and check that pilot lamp is glowing and AC lamps are illuminated.
2. Press test switch and verify that pilot lamp shuts off and LEDS stay illuminated.
3. Leave AC connected for a minimum of 24 hours before performing any abbreviated testing. Full recharge of batteries may take up to one (1) week.