

SYMMETRY SERIES EMERGENCY COMBO UNIT BY **CHLORIDE** SYSTEMS

6V 12-25 WATT INSTALLATION AND OPERATING INSTRUCTIONS

IMPORTANT SAFEGUARDS

When using electrical equipment, basic safety precautions should always be followed, including the following:

READ AND FOLLOW ALL SAFETY INSTRUCTIONS

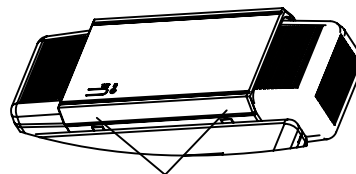
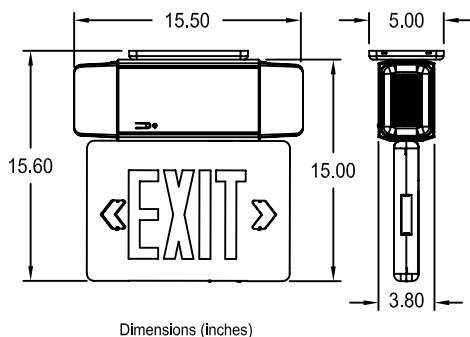
- All servicing should be performed by qualified personnel only.
- Do not use this equipment outdoors.
- Equipment should be mounted in locations and at heights where it will not readily be subjected to tampering by unauthorized personnel.
- The use of accessory equipment not recommended by the manufacturer may cause an unsafe condition.
- Do not let power supply cords touch hot surfaces.
- Do not mount near gas or electric heaters.

- **CAUTION:** Halogen cycle lamp(s) are used in this equipment. To avoid shattering: Do not operate lamp in excess of rated voltage, protect lamp against abrasion and scratches and against liquids when lamp is operating, dispose of lamp with care.
- Halogen cycle lamps operate at high temperatures. Do not store or place flammable materials near lamp.
- **CAUTION:** "To avoid electrical overload, total connected lamp load (factory and field installed) should not exceed output rating."
- Do not use this equipment for other than intended use.

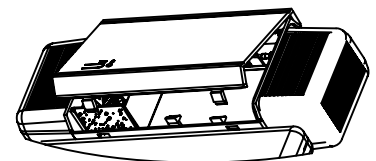
SAVE THESE INSTRUCTIONS WARNING

Shut off AC power to branch circuits to which units will be connected. All wiring should be per National Electrical Code and local regulations.

INSTRUCTIONS - GENERAL



Press tabs in on bottom of front cover to release front cover.



Remove front cover. Repeat for backplate.

CAUTION:

When removing front cover be careful not to damage ribbon cable connected to display module.

SYMMETRY 6V 12-25W COMBO SERIES

INSTRUCTIONS - INSTALLATION

Determine mounting method required and select appropriate instructions from following list.

A. TOP MOUNT

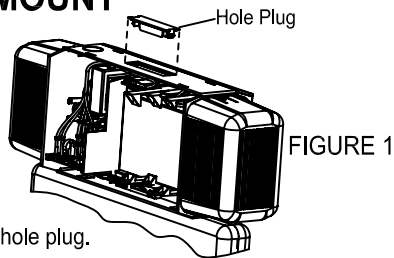


FIGURE 1

1. Remove hole plug.
2. Disconnect AC service connector from backplate assy. Route AC service connector wires through hole in crossbar.
3. Make AC service connections at this time. (See AC hookup instructions)

If applicable, disconnect remote hookup connector from mating connector. (See remote hookup instructions)

If applicable, disconnect fire alarm hookup connector from mating connector. (See fire alarm hookup instructions)

4. Assemble crossbar to outlet box using (2) screws supplied by others.

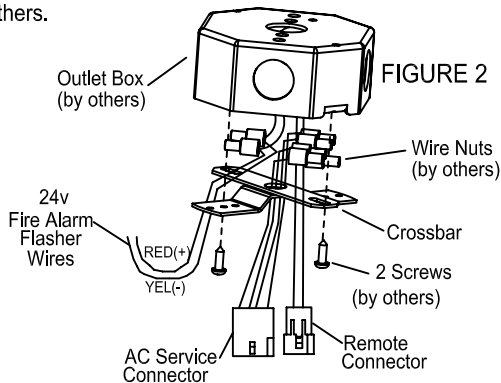


FIGURE 2

5. Route service connector(s) through hole in canopy. Mount canopy to crossbar unit using (2) screws supplied.

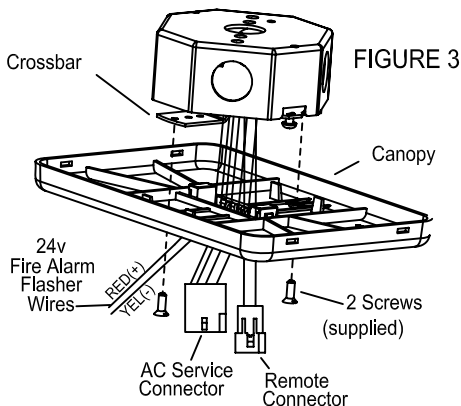


FIGURE 3

6. Route AC service harness from backplate through hole in housing. Assemble backplate to housing.

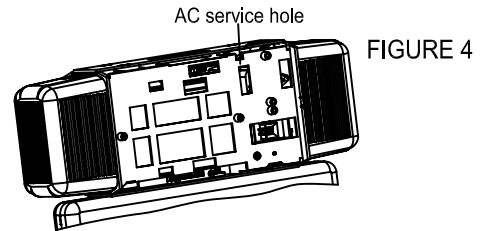


FIGURE 4

7. Route service connector(s) through hole in top of housing and snap unit to canopy engaging the locking mechanism.

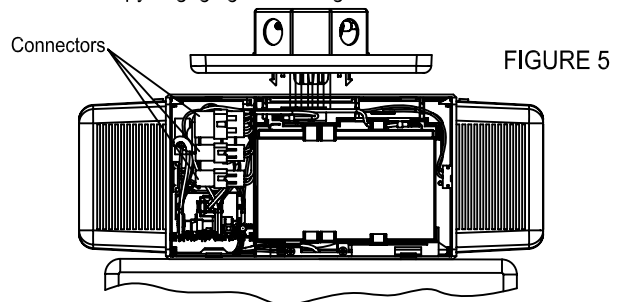


FIGURE 5

8. Snap hitch pin supplied in canopy kit into the canopy slot as shown.

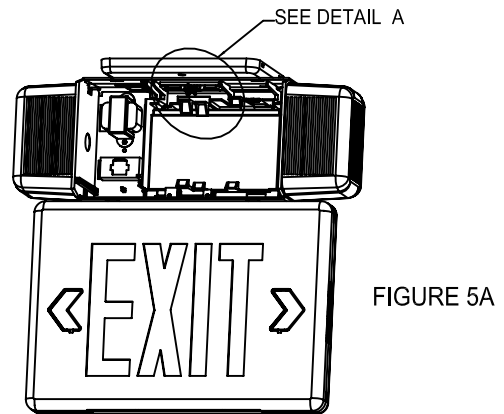
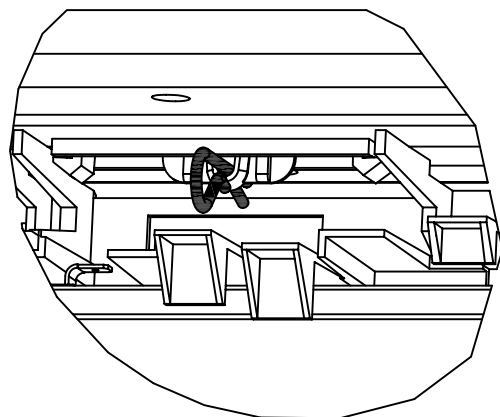


FIGURE 5A

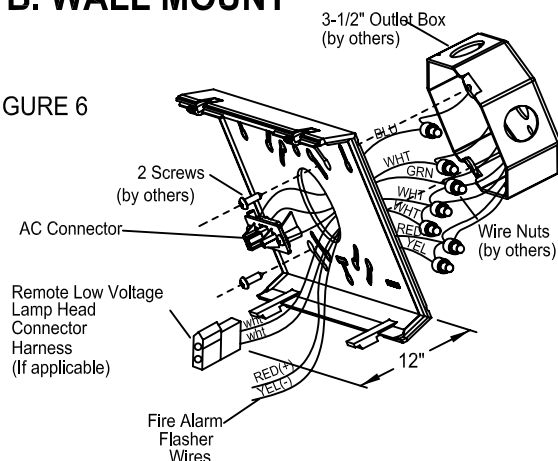


DETAIL A

SYMMETRY 6V 12-25W COMBO SERIES

B. WALL MOUNT

FIGURE 6



If applicable, route remote hookup connector through hole in backplate. (See remote hookup instructions)

If applicable, route fire alarm hookup connector through hole in backplate. (See fire alarm hookup instructions)

Remove appropriate knockouts in backplate. Mount backplate to outlet box with two (2) screws supplied by others. Pull AC service wires through hole in backplate. Make AC service connections at this time.

INSTRUCTIONS - HOOKUP

AC HOOKUP

120 VAC OPERATION

White Wire - Common
Black Wire - 120V Line
Green Wire - Ground

277 VAC OPERATION

White Wire - Common
Blue Wire - 277V Line
Green Wire - Ground

Unused primary wire must be insulated to prevent shorting

24V FIRE ALARM HOOKUP (IF APPLICABLE)

Red Wire to 24V Pos. Yellow Wire to 24V Neg.

FINAL CONNECTIONS AND ASSEMBLY:

- 1) If your unit has a lead battery, connect the red (B+) battery wire to the (+) terminal of the battery. Check that the black (B-) battery wire is securely connected to the (-) terminal of the battery.
- 2) Push excess wires into outlet box and reassemble housing to backplate as shown in Fig. 7.

NOTE: AC service is connected at this time.

- 3) Reassemble cover to housing as shown in Fig. 8.

FIGURE 7

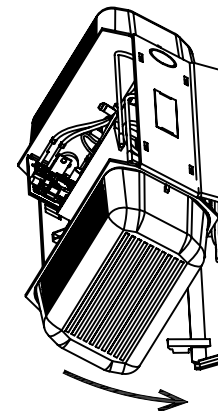
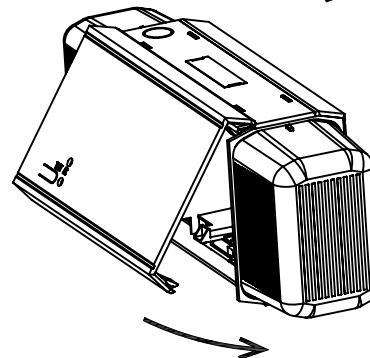


FIGURE 8



REMOTE LAMP HEAD HOOKUP (IF APPLICABLE)

NOTE: REMOTE LAMPS ARE NOT MONITORED BY SELF DIAGNOSTICS.

- 1) Connect one (1) remote lamp lead(s) wire(s) by wire nut to one (1) wire of the **Low Voltage Remote Lamp Head Output Wiring Harness** (See Figure 3).
- 2) Connect the remaining one (1) remote lamp lead(s) wire(s) by wire nut to the remaining one (1) wire of the **Low Voltage Remote Lamp Head Output Wiring Harness**.

NOTE: - Single or multiple remote lamp heads **must be rated 6VDC**

- Single or multiple remote lamp heads must be connected in paralleled to the **Low Voltage Remote Lamp Heads Output Wiring Harness**.
- The combined wattage of the integral lamp heads and single or multiple remote heads can not exceed the total wattage output of product.

INSTRUCTIONS - OPERATING

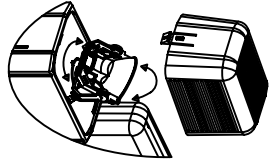
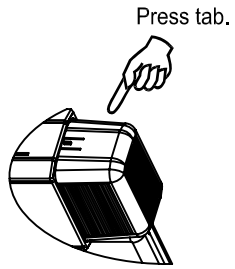
1. Energize AC power to equipment and check that pilot lamp illuminates red.
2. Press test switch and verify pilot lamp turns off and lamp heads illuminate.
3. Leave AC connected for a minimum of 24 hours before performing any abbreviated testing. Full recharge of battery may take up to one (1) week.

NOTE:

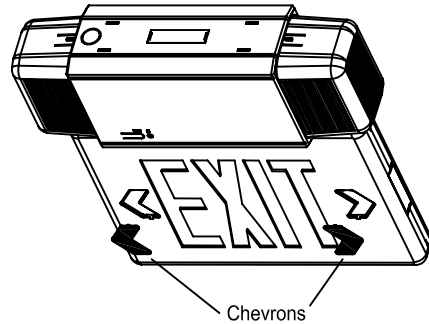
- A. This equipment is provided with a lockout feature whereby connecting battery leads prior to energizing AC power will not turn on the emergency lamps. After AC power is energized the emergency lamps will turn on upon AC power failure.
- B. This equipment is provided with a low battery disconnect feature which prevents full discharge of batteries. If the building is to be unoccupied for an extended period and AC power is shut off, the batteries should be disconnected from the charger to prevent damage.
- C. The batteries provided in this equipment are sealed and require no maintenance.

SYMMETRY 6V 12-25W COMBO SERIES

INSTRUCTIONS - POSITIONING LAMPS AND DIRECTIONAL CHEVRON REMOVAL



Remove lamp cover lens Adjust lamp to desired position and replace lamp cover lens.

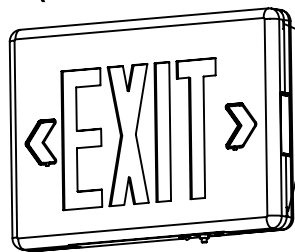


INSTRUCTIONS - EXIT STENCIL REMOVAL AND BACKPLATE INSTALLATION (UNIVERSAL COMBO ONLY)

To separating exit halves: Carefully insert screwdriver blade into slot on side of exit and twist. Repeat for each slot.

Remove back exit stencil.

Install backplate and reassemble exit.



Slots both ends.

