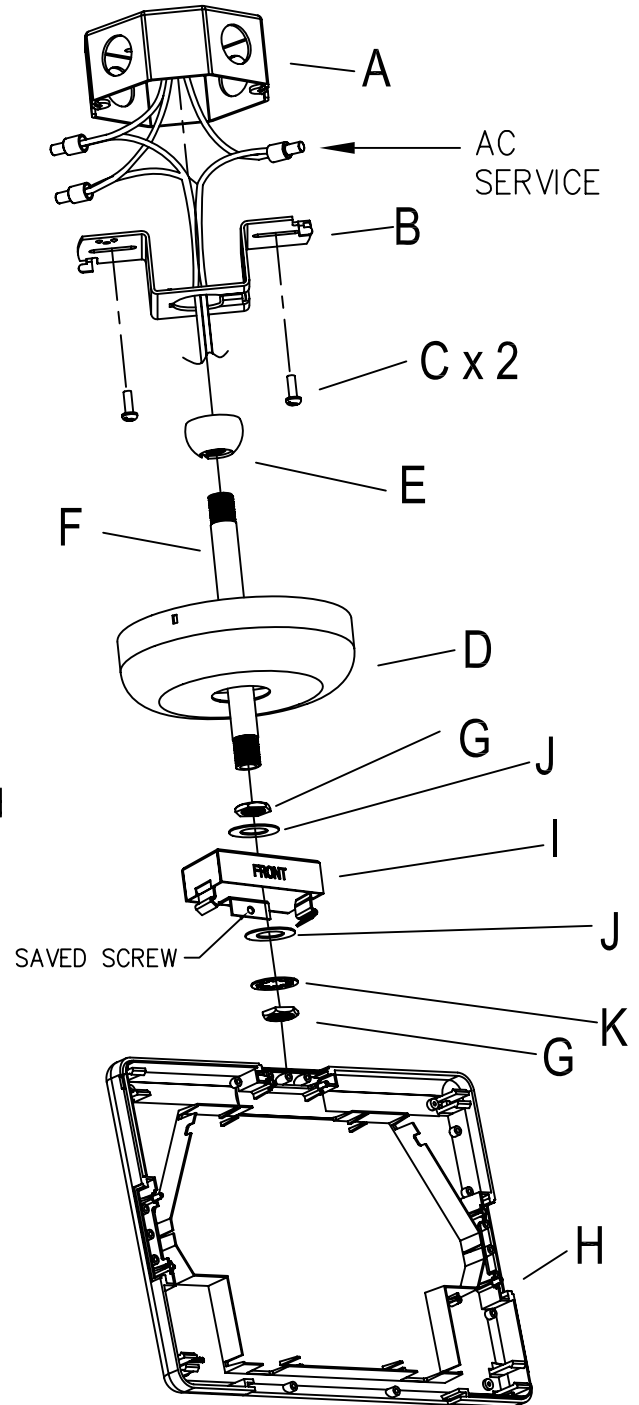


PLASTIC EXIT

PENDANT KIT INSTALLATION INSTRUCTIONS

Follow installation procedure in instructions supplied with unit with the following exceptions:

1. Assemble one end of pendant stem (F) to adaptor (I) using locknuts (G) and washers (J) and (K) as shown.
2. Assemble canopy (D), pivot ball (E) and remaining end of pendant stem together as shown.
3. Assemble cross bar (B) to outlet box.
4. Feed an appropriate length of AC service wire through pendant stem assembly and cross bar.
5. Make AC connections at outlet box and snap canopy over cross bar.
6. Remove canopy bracket from exit (H) and discard. Save 1 screw.
7. Assemble adaptor/pendant assembly to exit (H) and secure with saved screw.
8. Complete assembly per exit instructions.



PART CODE	DESCRIPTION	QTY.
A	OUTLET BOX - BY OTHERS	1
B	CROSSBAR	1
C	SCREW - BY OTHERS	2
D	CANOPY	1
E	BALL PIVOT	1
F	PENDANT STEM	1
G	LOCKNUT 1/4 I.P.	2
H	EXIT FRAME HALF	1
I	EXIT BRACKET	1
J	WASHER	2
K	LOCK WASHER	1