

# R SERIES CAST LED EXIT By **CHLORIDE** SYSTEMS

## 120VAC/277VAC EMERGENCY RECESSED LED EXIT INSTALLATION AND OPERATING INSTRUCTIONS

### IMPORTANT SAFEGUARDS

When using electrical equipment, basic safety precautions should always be followed, including the following:

### READ AND FOLLOW ALL SAFETY INSTRUCTIONS

All servicing should be performed by qualified personnel only.

Do not use this equipment outdoors.

Do not mount near gas or electric heaters.

Equipment should be mounted in locations and at heights where it will not readily be subjected to tampering by unauthorized personnel.

The use of accessory equipment not recommended by the manufacturer may cause an unsafe condition.

Do not use this equipment for other than intended use.

Do not let power supply cords touch hot surfaces.

Do not mount near open flames or sparks.

Do not install equipment in areas of excessive moisture.

### SAVE THESE INSTRUCTIONS

**WARNING** - Shut off AC power to branch circuits to which units will be connected. All wiring should be per National Electrical Code and local regulations.

To maintain warranty, equipment with batteries must be installed or placed on charge within prescribed period after shipment.

Electrical hookups are to be made inside outlet box. All parts needed to mount the exit are supplied with the exception of wire nuts for AC supply connections.

### INSTALLATION INSTRUCTIONS

#### 1. EXIT FRAME AND PANEL PREPARATION

- Front panel of sign may be opened by turning a screwdriver in the slots at the top. (See Fig. 1)
- Remove light chamber assembly to protect components while removing knockouts.
- Chevrons (left, right, or both) may be knocked out now with a screwdriver and hammer. Knock out chevrons from the inside of the panel for best results. Support panel when removing knockouts to prevent distortion.
- Prepare frame backplate by removing appropriate knockouts as in note 1C. (See figure 2)
- With appropriate chevron knockouts removed, peel backing from the double coated tape located around the exit stencil. Using the raised pegs surrounding the exit stencil as a guide, carefully install lens and press against tape to secure. (See Figure 3)
- Replace light chamber assembly. Dress wires to prevent shadowing.

#### 2. INSTALLATION AND AC SERVICE HOOKUP (See Figure 6)

- Route AC service wires through knockout in backplate.

- Make AC service connections at this time as follows:

<u>120V INPUT</u>	<u>OR</u>	<u>277V INPUT</u>
Black wire to line		Blue wire to line
White wire to common		White wire to common
Green wire to ground		Green wire to ground
Unused primary wire must be insulated to prevent shorting		

- If Fire Alarm Flasher option is used:
  - Connect RED wire to 24VDC POSITIVE
  - Connect YELLOW wire to 24VDC NEGATIVE
 Use wire nuts for connection, (not supplied)

#### 3. EXIT FRAME INSTALLATION (See Figures 4 & 5)

- Make cutout in wall 9-1/8" x 13-3/4" for recessed frame. Insert frame into cutout.
- Bring one bracket up thru top opening in recessed frame, with wide end towards wall, and slide over mounting slots. Start the two 6 x 3/8" screws supplied. Do not tighten screws.
- Lay the other bracket over bottom opening in recessed frame, with wide end towards wall, and slide over mounting slots. Start the two 6 x 3/8" screws supplied. Do not tighten screws.
- Pull each bracket firmly against wall and tighten screws.
- Set exit inside recessed frame. Attach exit to frame using the three 8 x 3/8" screws supplied. (See Figure 6)
- Plug switch and indicator light connector on door into mating connector from transformer.
- Close door.

#### 4. OPERATION

- Energize AC and check that exit is illuminated.
- Press test switch and verify that pilot lamp shuts off and exit is illuminated.
- Leave AC connected for a minimum of 24 hours before performing any abbreviated testing. Full recharge of batteries may take up to one (1) week.

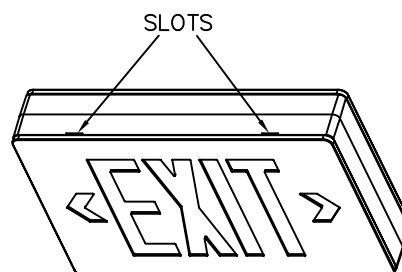


FIGURE 1

THE 3 KNOCKOUTS CIRCLED  
MUST BE REMOVED FOR  
MOUNTING RECESSED FRAME

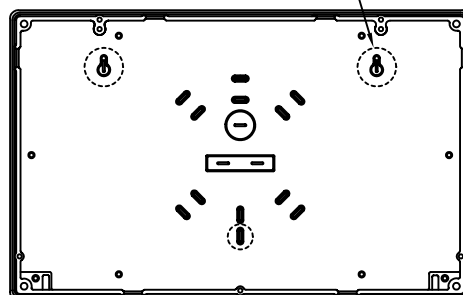
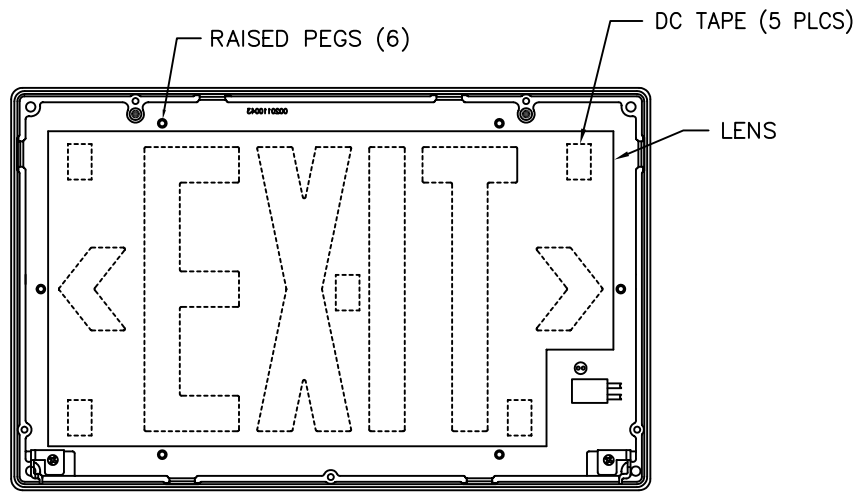


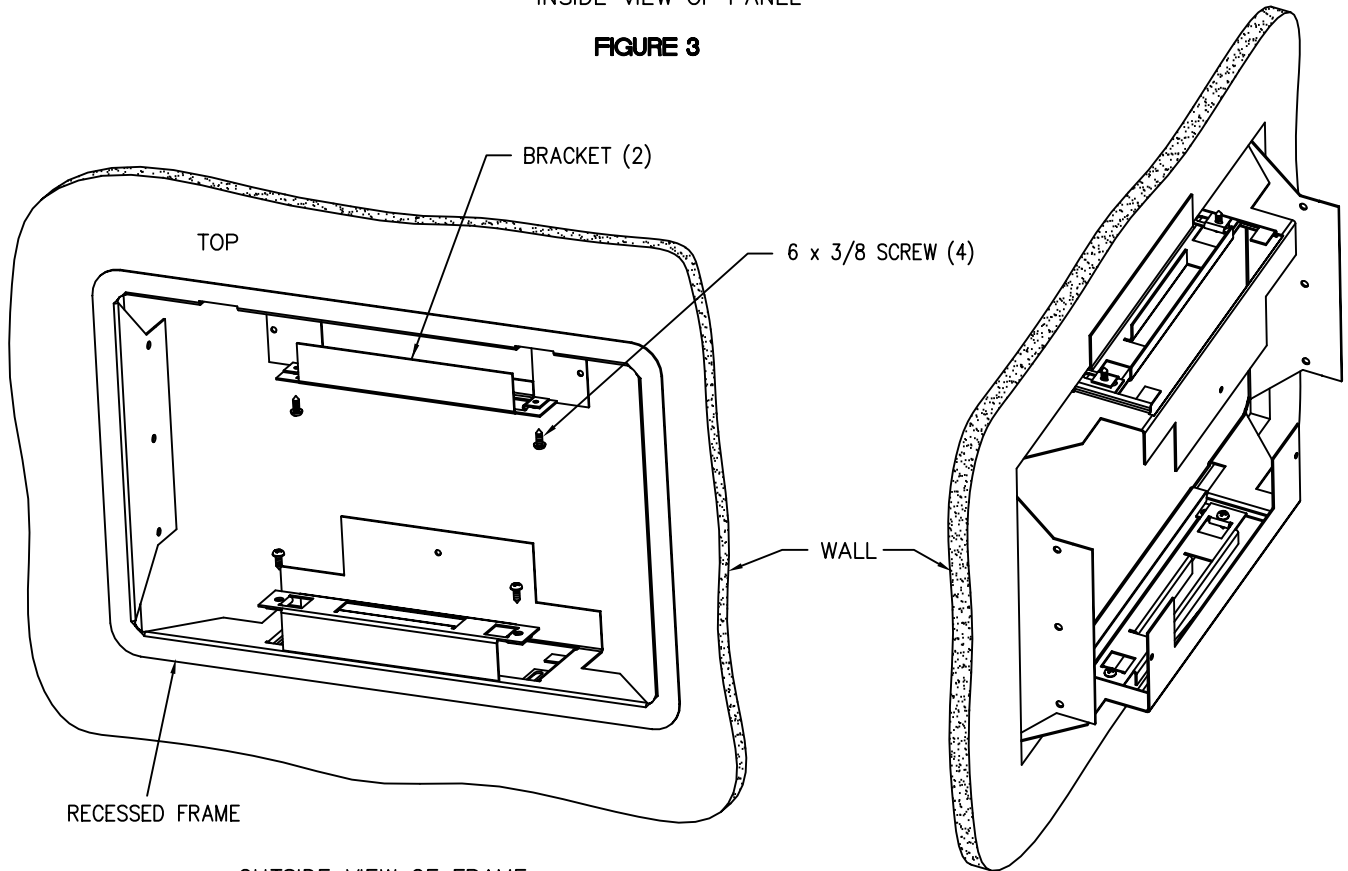
FIGURE 2

# R SERIES EMERGENCY RECESSED LED CAST EXIT



INSIDE VIEW OF PANEL

**FIGURE 3**

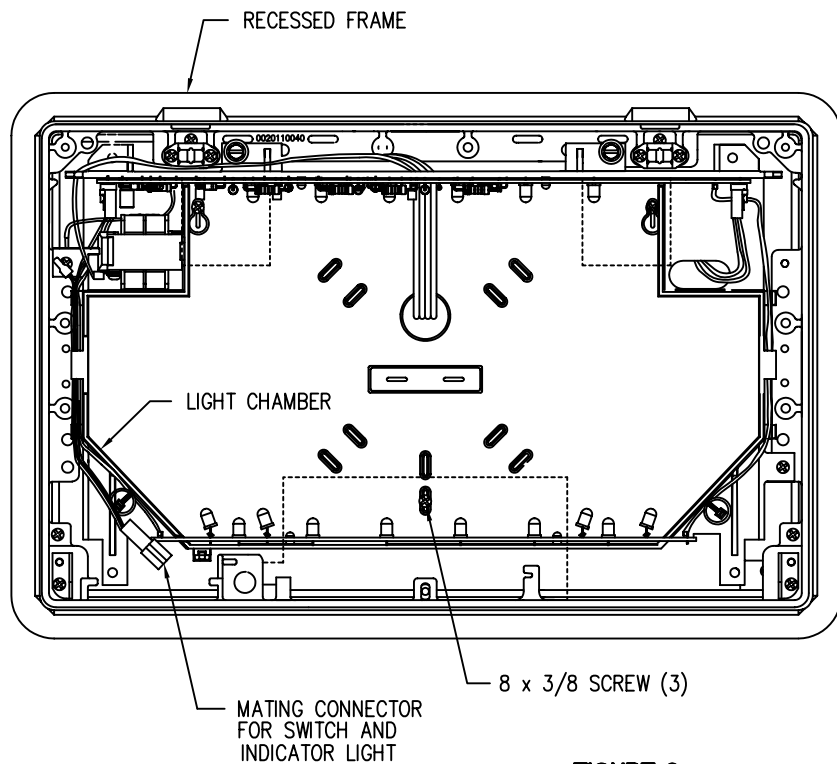


OUTSIDE VIEW OF FRAME  
INSTALLATION

**FIGURE 4**

INSIDE VIEW OF FRAME  
INSTALLED

**FIGURE 5**



**FIGURE 6**