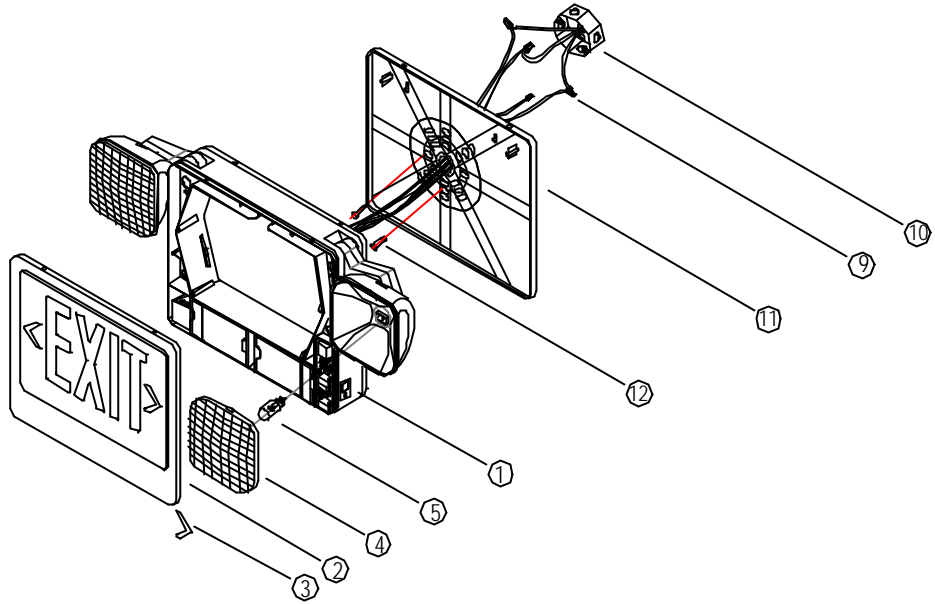


INSTALLATION INSTRUCTIONS

Rev.S050103

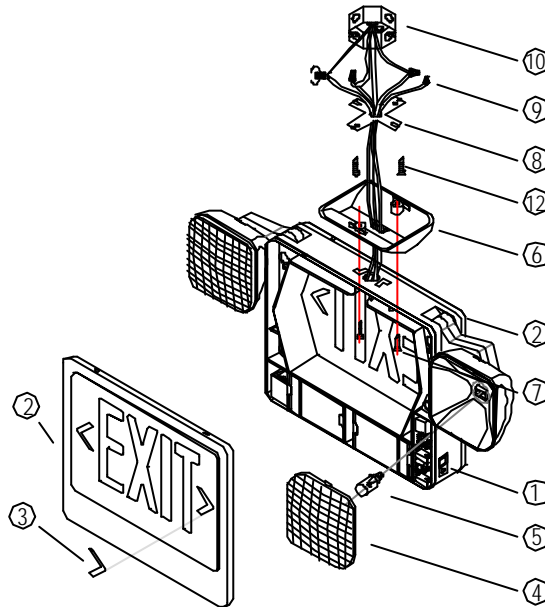
WALL MOUNTING



CEILING MOUNTING

PARTS DESCRIPTION

- 1) Exit housing
- 2) Exit faces (two supplied)
- 3) Directional chevrons (replaceable)
- 4) Lens
- 5) Bulb
- 6) Canopy
- 7) Machine screw
- 8) Crossbar
- 9) Wire nuts
- 10) Junction box (Supplied by others)
- 11) Back plate
- 12) Junction box screw
- 13) Nut (not provided)
- 14) Pendant mount stem
(Ø 3/8" Max.)



Using Finger press plastic housing

Back plate

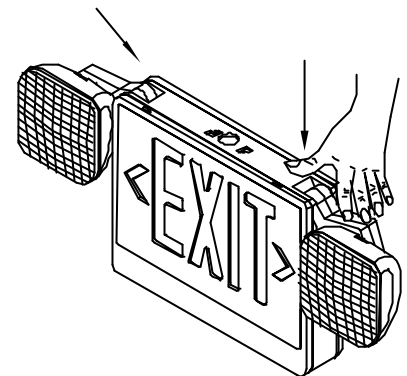
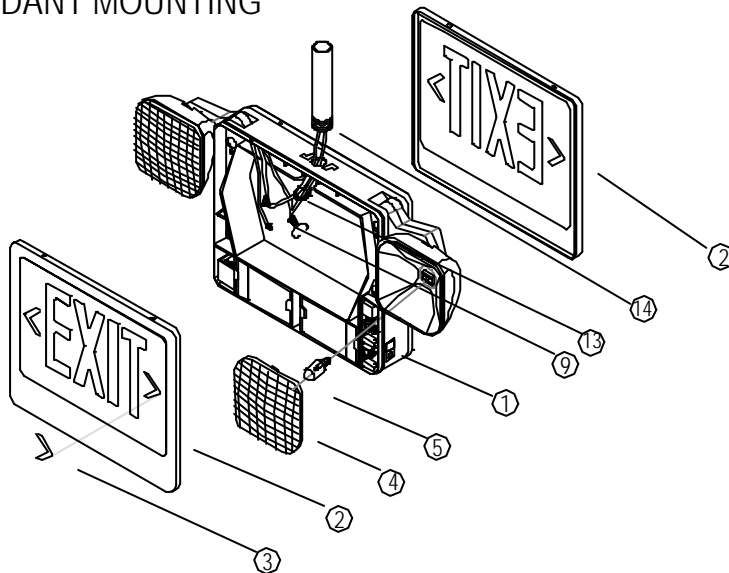


Fig. 11 Opening back plate

PENDANT MOUNTING



You can adjust the position of light heads to get the best position of emergency lighting

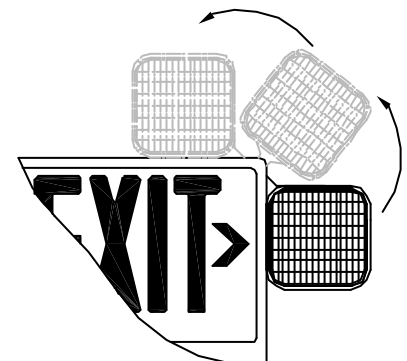


Fig. 12 Adjust position of emergency light heads

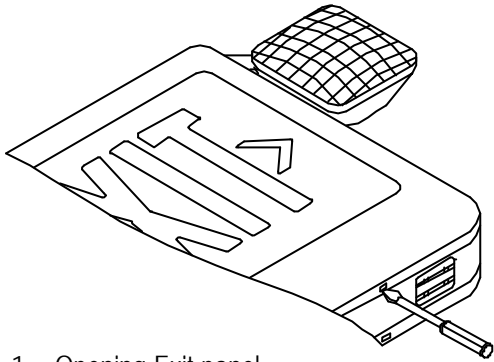


Fig. 1 Opening Exit panel

CAUTION: Holding wire supports junction box sign during wiring

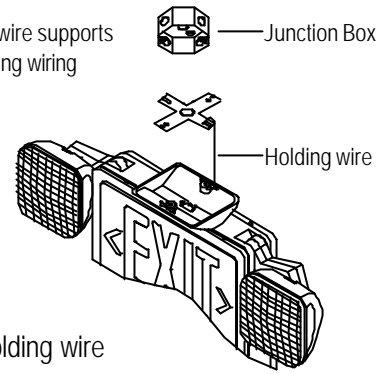


Fig. 2 Using holding wire

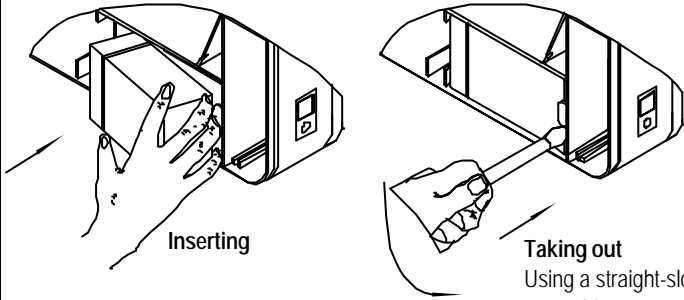
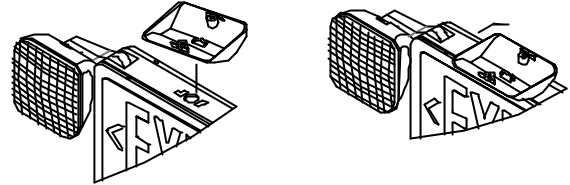


Fig. 3 Inserting/Removing the battery

Insert canopy into housing at 20 degree and twist

Quick snap is now firmly locked



CAUTION: Trying to remove canopy after it is locked in place may cause damage

Fig. 4 Assembling canopy to housing

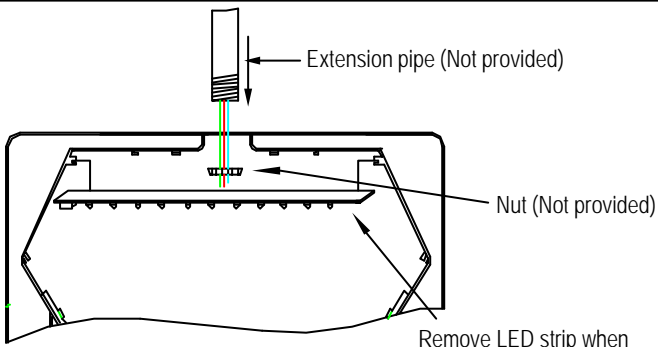


Fig. 5 Pendant mounting

Recommended electrical connection for pendant mounted exit signs

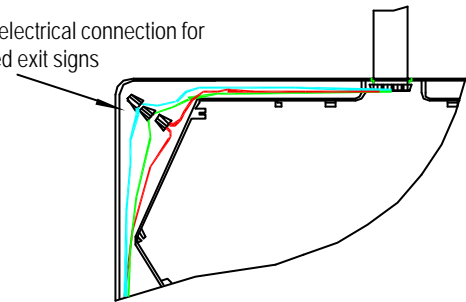


Fig. 6 Connect and trim wires

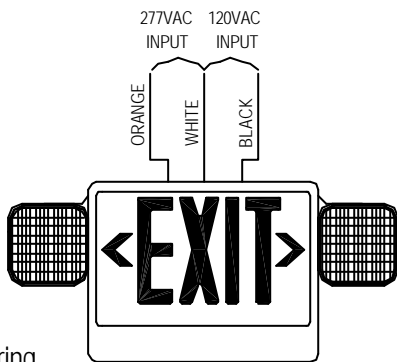


Fig. 7 Wiring

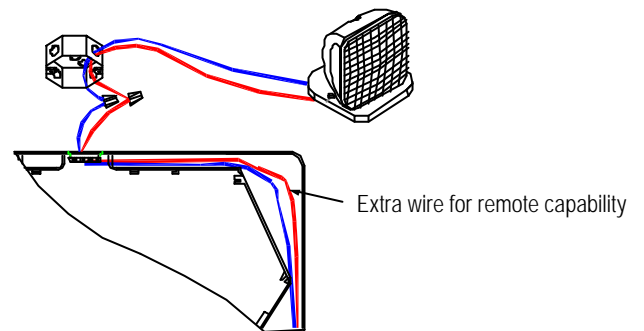
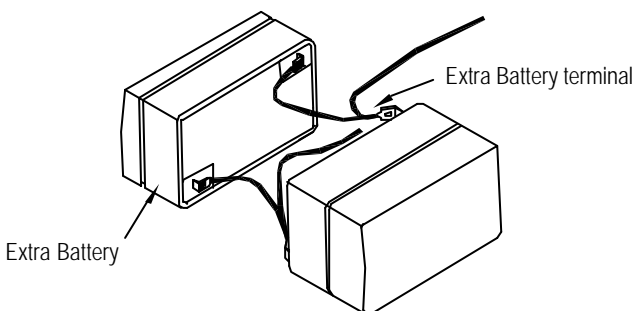


Fig. 8 Wiring for remote load, if additional battery is supplied



Connect additional battery wire using extra battery terminal

Fig. 9 Connecting additional battery for remote capability

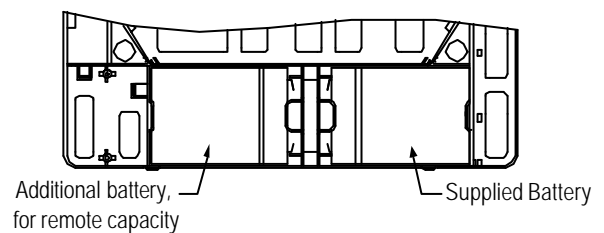


Fig. 10 Position for battery for remote capability