

12V RECESSED EMERGENCY POWER UNIT

INSTALLATION AND OPERATING INSTRUCTIONS

IMPORTANT SAFEGUARDS

When using electrical equipment, basic safety precautions should always be followed, including the following:

READ AND FOLLOW ALL SAFETY INSTRUCTIONS

All servicing should be performed by qualified personnel only.

Do not use this equipment outdoors.

Do not mount near gas or electric heaters.

Equipment should be mounted in locations and at heights where it will not readily be subjected to tampering by unauthorized personnel.

The use of accessory equipment not recommended by the manufacturer may cause an unsafe condition.

Do not use this equipment for other than intended use.

Do not let power supply cords touch hot surfaces.

Do not mount near open flames or sparks.

Do not install equipment in areas of excessive moisture.

CAUTION: "To avoid electrical overload, total connected lamp load (factory and field installed) should not exceed output rating."

SAVE THESE INSTRUCTIONS

WARNING - Shut off AC power to branch circuits to which units will be connected. All wiring should be per National Electrical Code and local regulations.

To maintain warranty, equipment with batteries must be installed or placed on charge within prescribed period after shipment.

GENERAL INSTRUCTIONS

1. This unit is capable of mounting recessed in the ceiling. Electrical hookups are to be made after mechanical assembly is completed. Each unit requires a single unswitched supply from a 120 or 277VAC branch circuit located in the predetermined area of installation.
2. All parts needed to mount the unit are supplied with the unit with the exception of wire nuts for AC supply connections, wire conduit with end connectors and bar hanger ceiling panel mounting kit Chloride part # BHK1 if required.

A. CEILING MOUNT WITH WIRE HANGERS

1. Cut 4-1/2" wide X 8-1/8" long hole in wall to accept backbox.
2. Remove faceplate by removing four (4) screws. Save screws for replacement.
3. Remove two small knockouts on each end of backbox for mounting with wire hangers. Remove appropriate conduit knockouts. (See Fig. 1)
4. Fit backbox in ceiling tile.
5. Loop wire through knockouts on each end and secure wire.
6. Make electrical connections at this time. (See Page 2)
7. **WARNING:** If the unit is left for a prolonged period of time without AC power connected, battery damage may occur.
8. Connect battery, remote lamp and test switch connectors to mating connectors on Cover Assy.
9. Replace the faceplate using the four (4) saved mounting screws. Emergency lamps will not illuminate because of AC lock-out circuit. Operate test button. Lamps should illuminate. Nickel-cadmium battery units are shipped nominally discharged; lead battery units are partially charged.
10. Adjust the emergency lamps to the desired angles. (If Applicable)

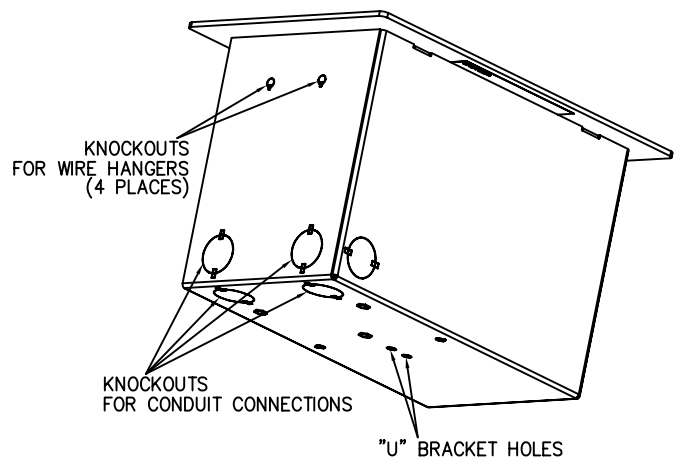


FIGURE 1

12V RECESSED EMERGENCY POWER UNIT

B. CEILING MOUNTING WITH OPTIONAL BAR HANGER KIT

(See Figure 2)

REQUIRED: Bar Hanger Kit (for drop ceiling panel)
Option # BHK1.

1. Determine the orientation required for the CR6 before cutting hole in the ceiling panel.
2. Cut 4-1/2" wide X 8-1/8" long hole in ceiling panel to accept backbox.
3. Remove faceplate by removing four (4) screws. Save screws for replacement.
4. Remove the appropriate conduit knockouts. (See Fig. 1)
5. Locate plastic bag with "U" bracket and two (2) screws (packed in carton).
6. Attach "U" Bracket to back of backbox based on orientation of unit in the ceiling. Secure "U" Bracket with (2) Screw supplied. (See Fig. 1)
7. Remove the bar hanger kit option from carton. The BHC clip that comes with the bar hanger kit should be discarded.
8. Remove a ceiling panel adjacent to the panel with the mounting hole. Insert the backbox into the cut hole and with the "U" bracket protruding on the back of the backbox, slide the tee bar through the two slots on the "U" bracket walls. Attach the bar hanger with its extended feet to the panel edges.
9. Adjust tee bar side slot height to bring front edge of box approximately 1/16" from the lower panel edge. Wire hangers can be secured to bar hangers if required.
10. Make conduit connection to backbox.
11. Connect battery, remote lamp and test switch connectors to mating connectors on Cover Assy.

WARNING: If the unit is left for a prolonged period of time without AC power connected, battery damage may occur.

14. Replace the faceplate using the four (4) saved mounting screws. Emergency lamps will not illuminate because of AC lock-out circuit. Operate test button. Lamps should illuminate briefly. Nickel cadmium battery units are shipped nominally discharged; lead battery units are partially charged.
15. Adjust the emergency lamps to the desired angles. (If Applicable)

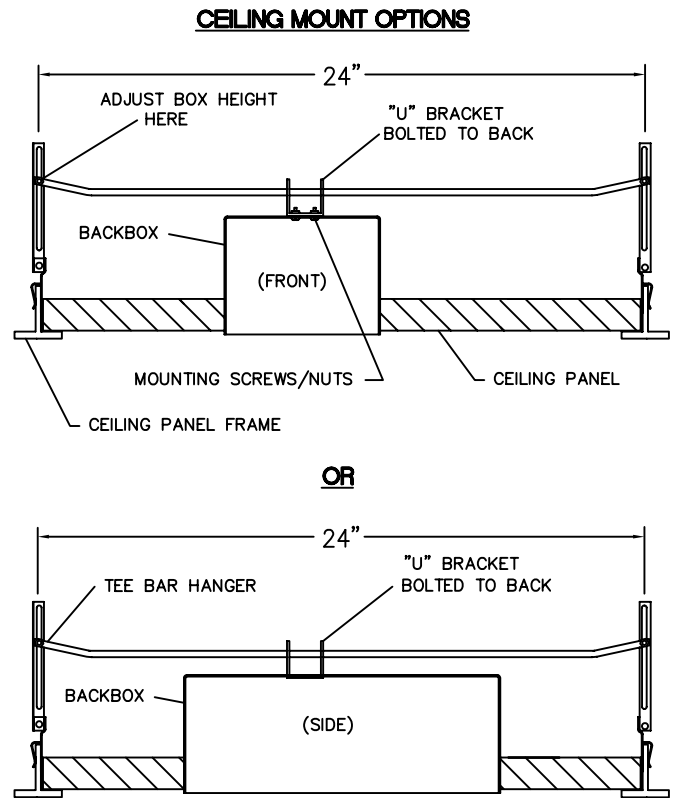


FIGURE 2

WIRING HOOKUP INSTRUCTIONS

Make electrical hookups at this time as follows:

1A. 120 VAC OPERATION

Black Wire -120V Line
White Wire -Common
Green Wire -Ground

Unused primary wire must be insulated to prevent shorting

1B. 277 VAC OPERATION

Blue Wire -277V Line
White Wire -Common
Green Wire -Ground

Unused primary wire must be insulated to prevent shorting

REMOTE LAMP HOOKUP

- Connect one wire from each lamp to yellow wire.
- Connect remaining wire from each lamp to second yellow wire or orange wire.

NOTE: All lamps are to be connected in parallel.

OPERATING INSTRUCTIONS

1. Energize AC to unit and check that pilot lamp is glowing.
2. Press test switch and verify that pilot lamp turns off and lamp heads illuminate.
3. Leave AC connected for a minimum for 24 hours before performing any abbreviated testing. Full recharge of batteries may take up to one (1) week.