

**LED OUTDOOR UNIT EQUIPMENT
120VAC OR 277VAC
AC ONLY (NON-EMERGENCY) OPERATION
INSTALLATION AND OPERATING INSTRUCTIONS**

IMPORTANT SAFEGUARDS

When using electrical equipment, basic safety precautions should always be followed, including the following:

- Do not let power supply cords touch hot surfaces.
- Do not mount near gas or electric heaters.
- Do not use this equipment for other than intended use.

READ AND FOLLOW ALL SAFETY INSTRUCTIONS

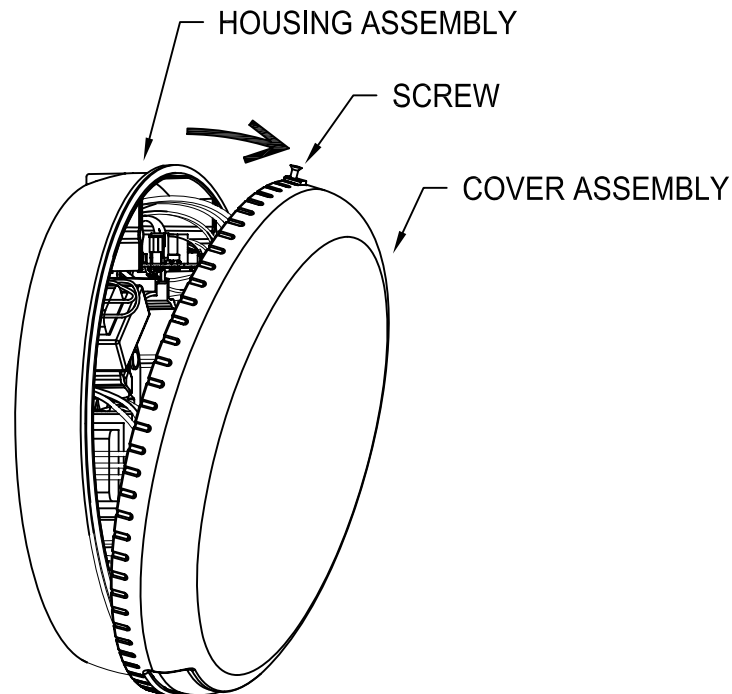
- All servicing should be performed by qualified personnel only.
- Equipment should be mounted in locations and at heights where it will not readily be subjected to tampering by unauthorized personnel.
- The use of accessory equipment not recommended by the manufacturer may cause an unsafe condition.

SAVE THESE INSTRUCTIONS

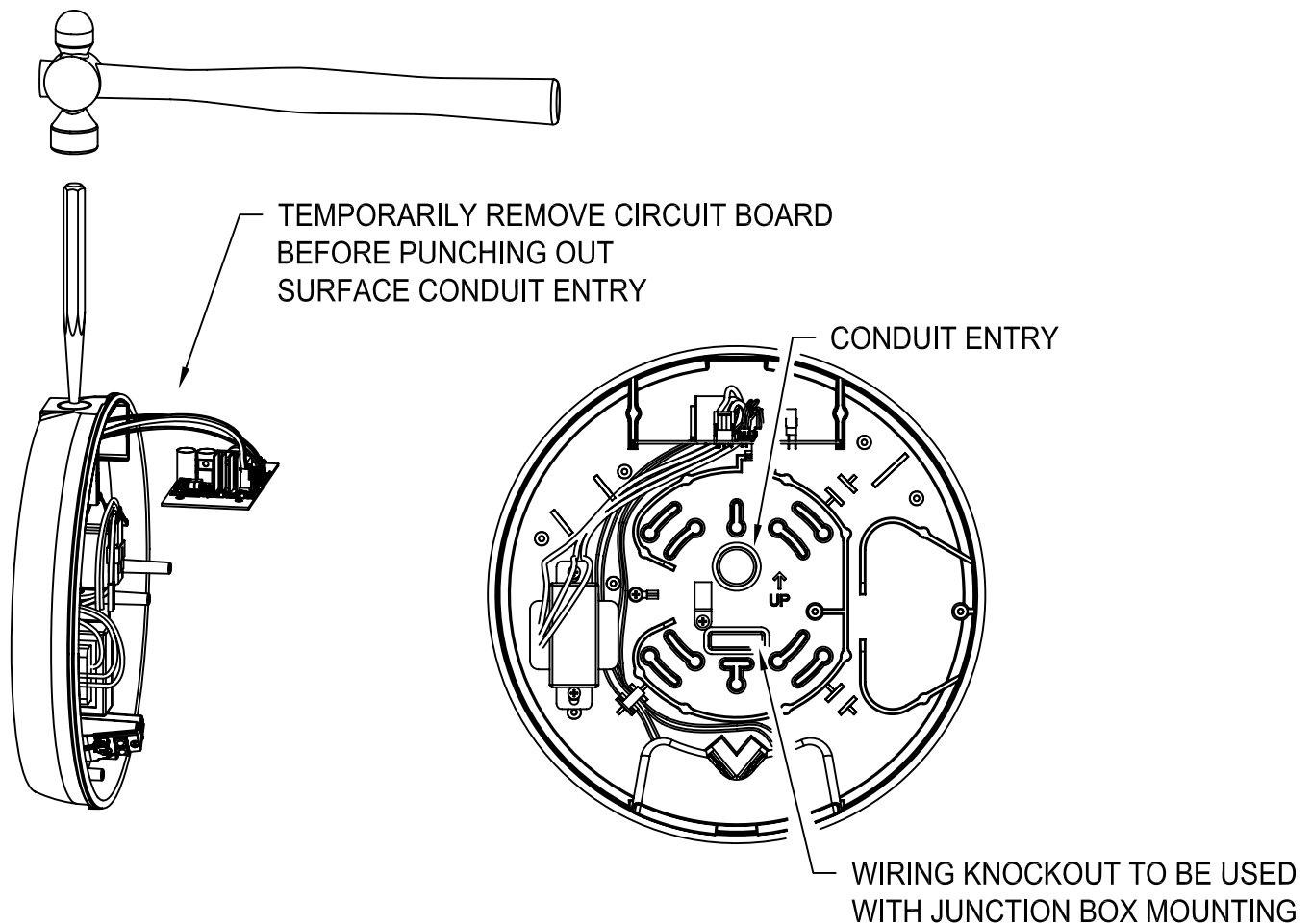
WARNING

Shut off AC power to branch circuits to which units will be connected. All wiring should be per National Electrical Code and local regulations.

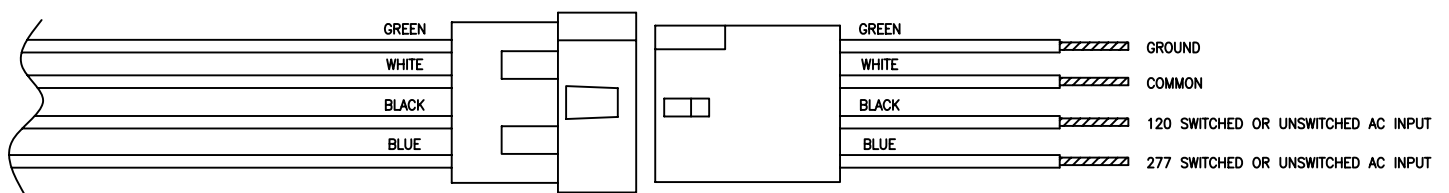
INSTALLATION INSTRUCTIONS



- 1 Use supplied T-10 Torx bit to back screw halfway out of cover assembly (screw does not need to be completely removed). Separate cover assembly from housing assembly and set aside.

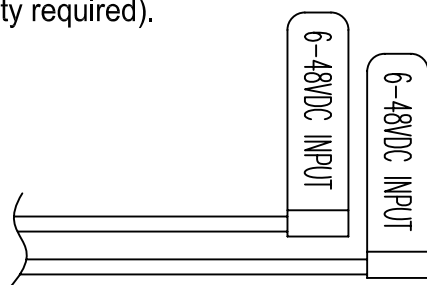


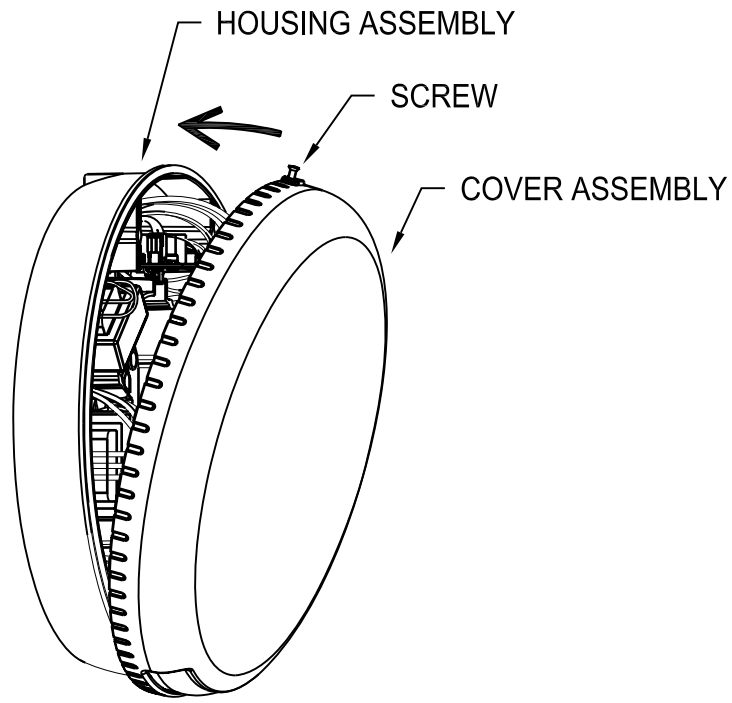
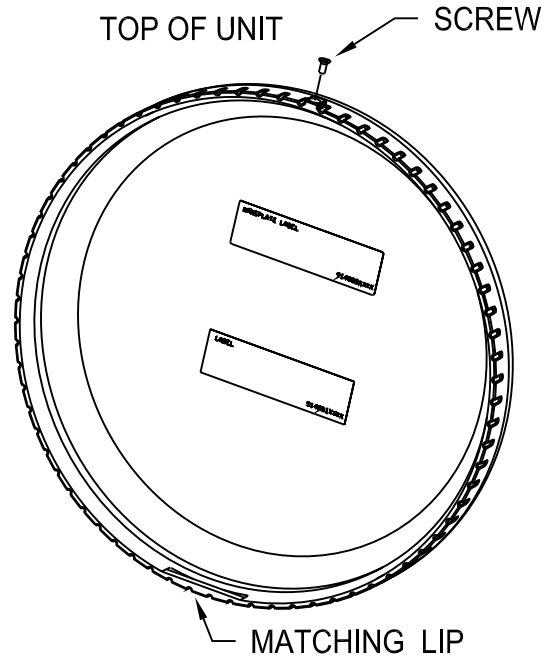
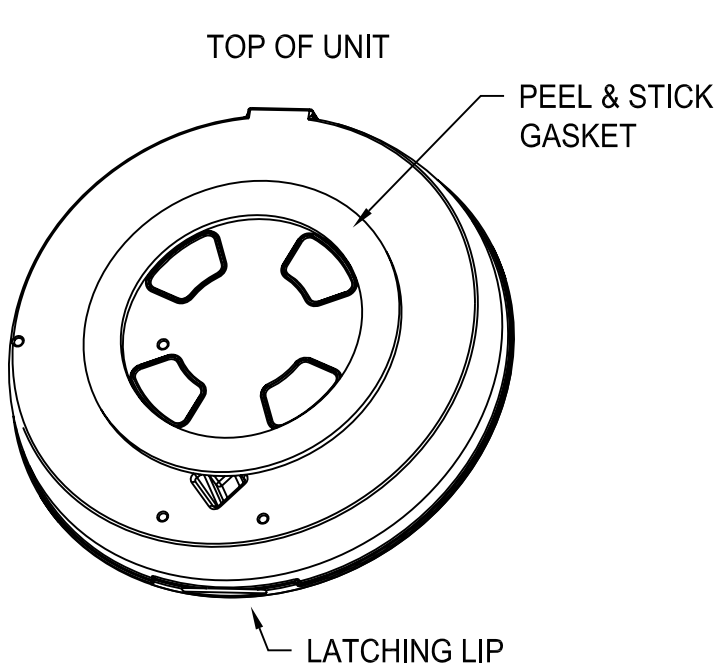
- 2 Determine desired point of entry for AC supply and remove appropriate knockout. Remove junction box mounting knockouts as necessary. Unit may be mounted to 3-1/2", 4" or single gang junction box. Apply round foam gasket to back of housing being sure that all openings created by removed knockouts are inside perimeter of gasket. Mount product with screws (not provided).



- 3 Make AC supply connections. The input may be connected to either switched or unswitched AC service. Cap off unused 120VAC or 277VAC wire to prevent shorting.

If unit has been ordered with the 6-48VDC DC input option, connect "6-48VDC INPUT" labeled wires to DC input (no polarity required).





step 1.

at the top and secure using the screw loosened in