



**12 VOLT 72 WATT EMERGENCY UNIT
120VAC OR 277VAC OPERATION
INSTALLATION AND OPERATING INSTRUCTIONS**

**CHLORIDE
SYSTEMS**

IMPORTANT SAFEGUARDS

When using electrical equipment, basic safety precautions should always be followed, including the the following:

**READ AND FOLLOW ALL
SAFETY INSTRUCTIONS**

- All servicing should be performed by qualified personnel only.
- Do not use this equipment outdoors.
- Equipment should be mounted in locations and at heights where it will not readily be subjected to tampering by unauthorized personnel.
- The use of accessory equipment not recommended by the manufacturer may cause an unsafe condition.
- Do not let power supply cords touch hot surfaces.
- Do not mount near gas or electric heaters.

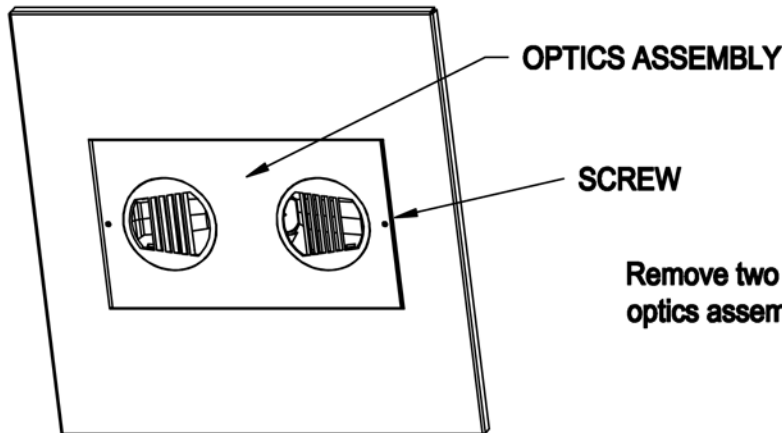
- **CAUTION:** Halogen cycle lamp(s) are used in this equipment. To avoid shattering: Do not operate lamp in excess of rated voltage, protect lamp against abrasion and scratches and against liquids when lamp is operating, dispose of lamp with care.
- Halogen cycle lamps operate at high temperatures. Do not store or place flammable materials near lamp.
- **CAUTION:** "To avoid electrical overload, total connected lamp load (factory and field installed) should not exceed output rating."
- Do not use this equipment for other than intended use.
- This product is U.L. approved for use in IC rated ceilings.

**SAVE
THESE INSTRUCTIONS
WARNING**

Shut off AC power to branch circuits to which units will be connected. All wiring should be per National Electrical Code and local regulations.

INSTRUCTIONS - INSTALLATION

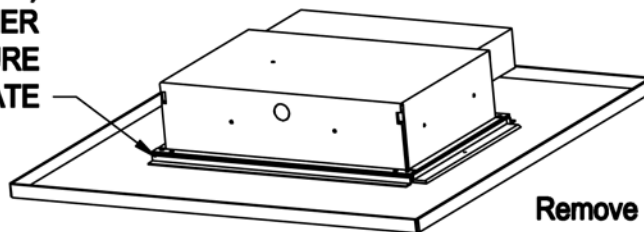
①



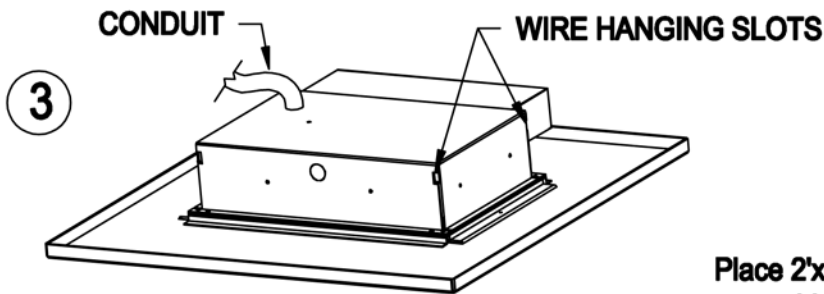
Remove two screws and set optics assembly aside.

②

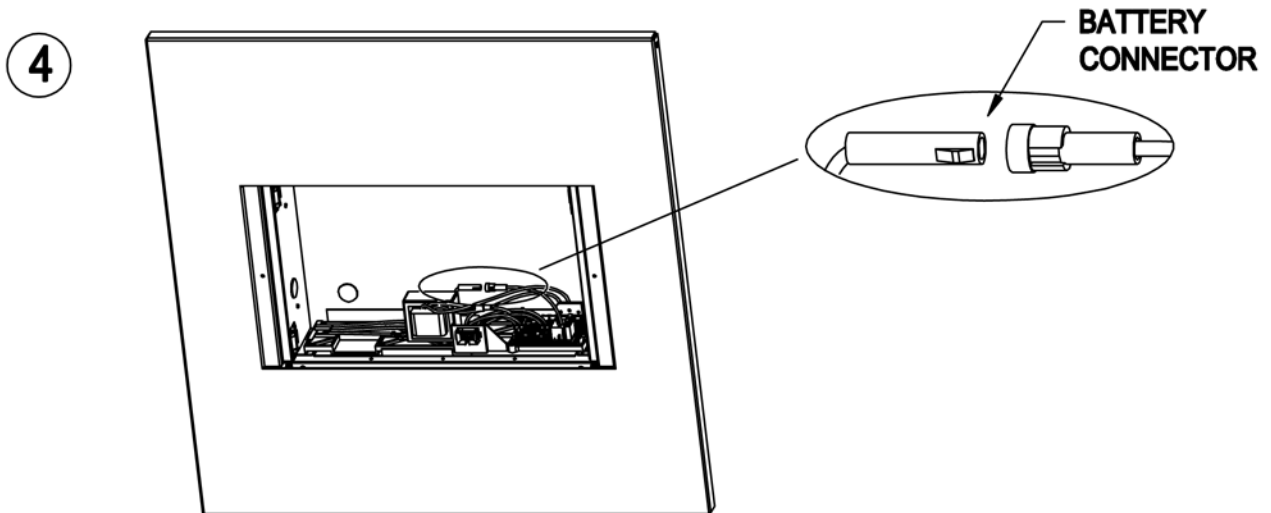
INSTALL ONE #8 NUT
(SUPPLIED IN HARDWARE KIT)
ON EACH CORNER
TO FASTEN ENCLOSURE
TO FACEPLATE



Remove desired AC conduit entry knockout from enclosure. Fasten enclosure assembly to face plate using nut kit supplied.



Place 2'x2' faceplate and enclosure assembly into ceiling grid. Connect AC service conduit to enclosure. Rectangular slots are provided at each corner of enclosure for wire hanging as shown.



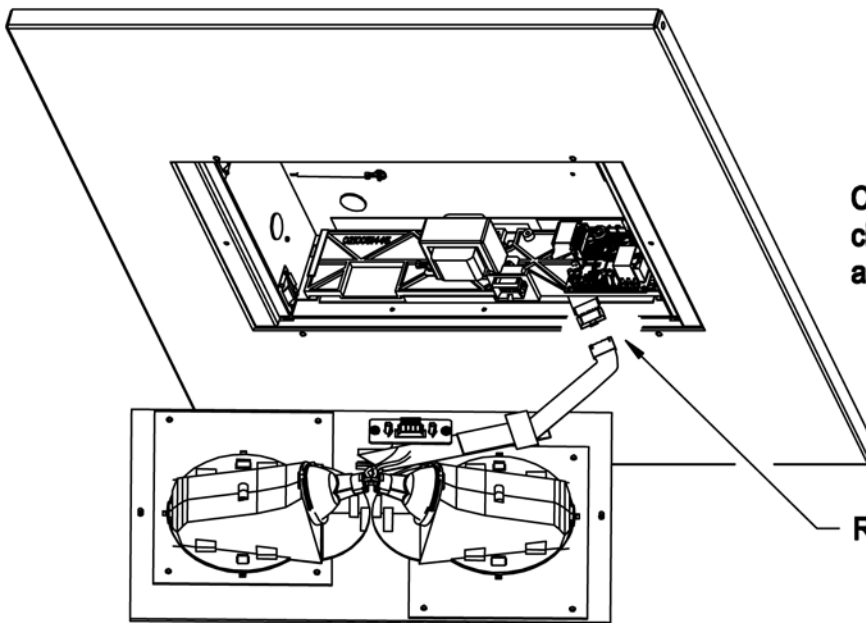
Connect red battery lead by pushing connector halves together (see above). Make AC service connections. See table below for wiring guide.

INSTRUCTIONS - HOOKUP	
AC HOOKUP	
120 VAC OPERATION	277 VAC OPERATION
White Wire - Common	White Wire - Common
Black Wire - 120V Line	Blue Wire - 277V Line
Blue Wire - Cap Off	Black Wire - Cap Off
Green Wire - Ground	Green Wire - Ground
CAUTION: Unused primary wire must be insulated to prevent shorting.	



CHLORIDE SYSTEMS

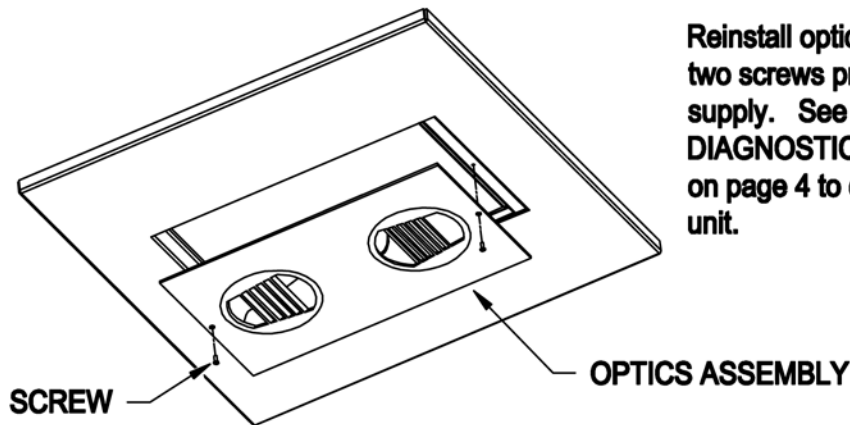
5



Connect ribbon cable connectors from circuit board assembly and optics assembly together as shown.

RIBBON CABLE CONNECTORS

6



Reinstall optics assembly as shown using two screws provided. Energize AC supply. See "SELF TESTING DIAGNOSTICS SYSTEM OPERATION" on page 4 to check for proper function of unit.

SCREW

OPTICS ASSEMBLY

CAUTION!

The halogen lamps used in this product operate at very high temperatures. Care should be taken when servicing unit to avoid burns.

NOTE:

- A. This equipment is provided with a lockout feature whereby connecting battery leads prior to energizing AC power will not turn on the emergency lamps. After AC power is energized the emergency lamps will turn on upon AC power failure.
- B. This equipment is provided with a low battery disconnect feature which prevents full discharge of batteries. If the building is to be unoccupied for an extended period and AC power is shut off, the batteries should be disconnected from the charger to prevent damage.
- C. The batteries provided in this equipment are sealed and require no maintenance.

