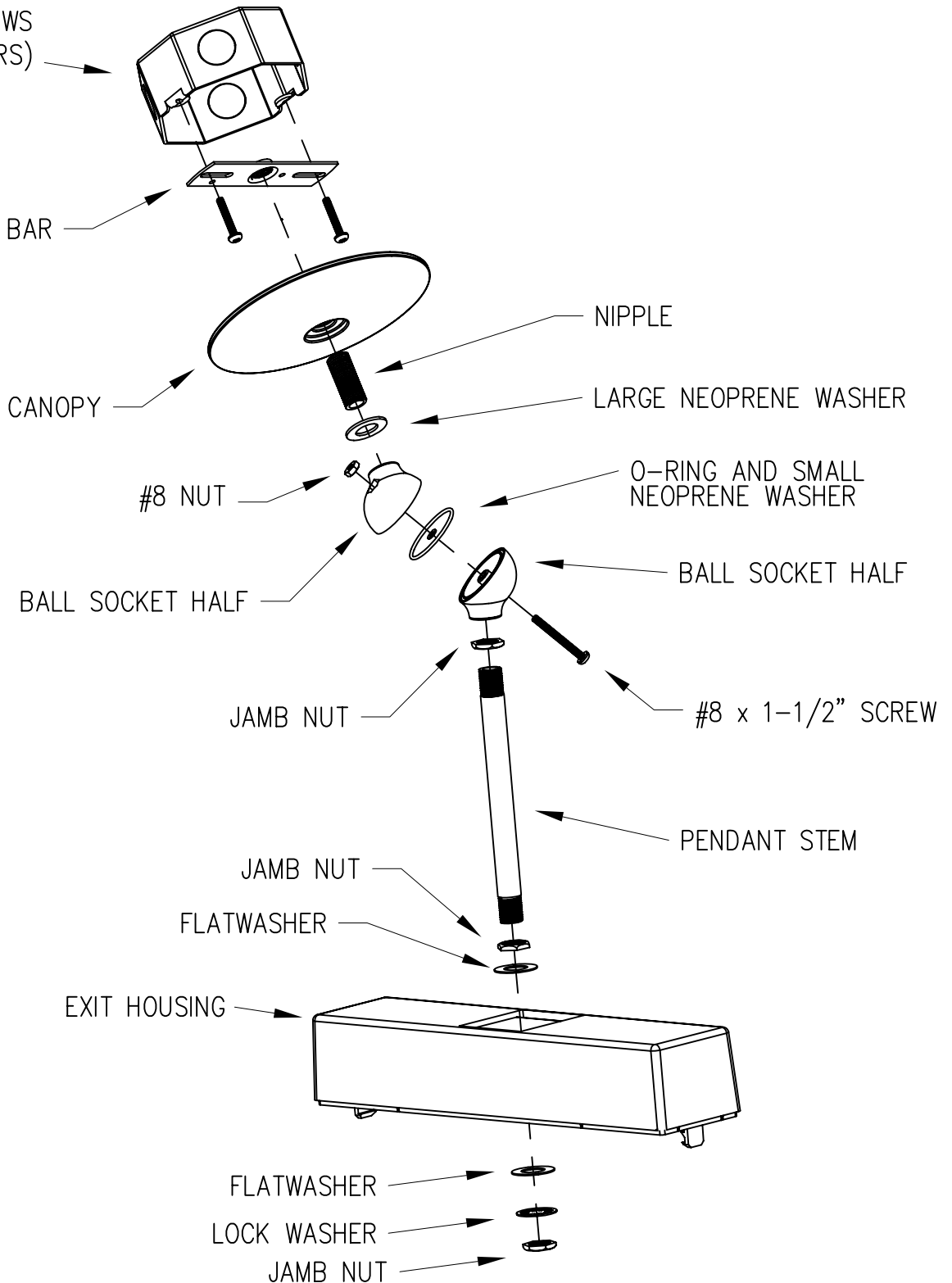


PENDANT STEM KIT FOR EDGE LIT EXIT

NOTE: Both the outlet box and the exit assembly must be grounded to the service ground.

JUNCTION BOX AND SCREWS
(SUPPLIED BY OTHERS)

CROSS BAR



277V Input

Blue wire to line
White wire to common
Green wire to ground

OR

120V Input

Black wire to line
White wire to common
Green wire to ground

Unused primary wire must be insulated to prevent shorting.

