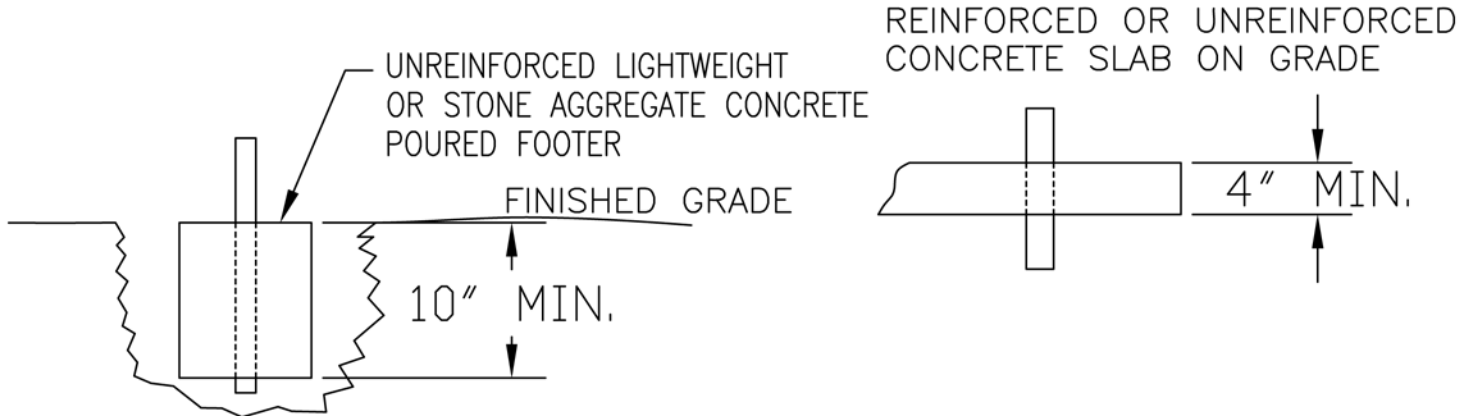


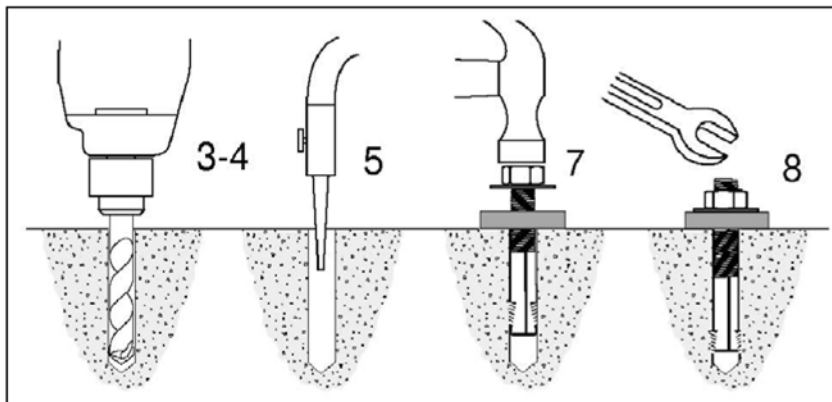
LED BOLLARD PAD MOUNT - DRIVE ANCHOR MODEL MOUNT BASE INSTALLATION INSTRUCTIONS

CONCRETE FOOTER REQUIREMENTS



INSTRUCTIONS

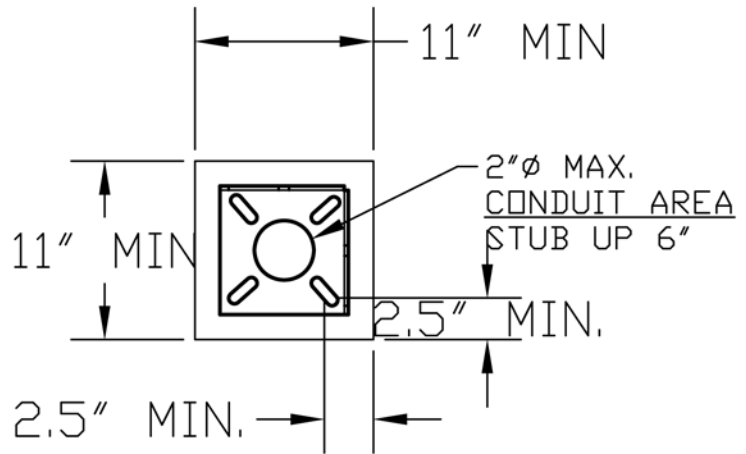
1. Position mounting plate on footer such that pole is oriented to project light as desired.
2. Mark locations of mounting base attachment slots.
3. Drill the (4) 5/16" holes perpendicular to the work surface. To assure full holding power, do not ream the hole or allow drill to wobble.
4. Drill the hole deeper than the intended embedment of the anchor, but not closer than two anchor diameters to the bottom (opposite) surface of the concrete.
5. Clean the hole using compressed air and a nylon brush. A clean hole is necessary for proper performance.
6. Place mounting plate on footer, aligning attachment slots with drilled holes in footer.
7. Insert anchor into hole until washer rests solidly against fixture.
8. Tighten the nut 3 to 5 turns past the hand tight position.



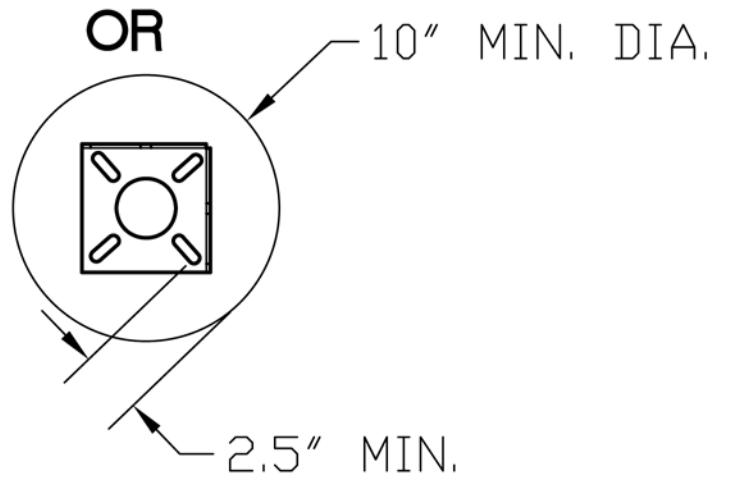
**Always wear safety glasses.* Follow drill manufacturer's instructions. Use only solid carbide-tipped drill bits meeting ANSI B212.15 diameter standards.

LED BOLLARD PAD MOUNT - DRIVE ANCHOR MODEL MOUNT BASE INSTALLATION INSTRUCTIONS

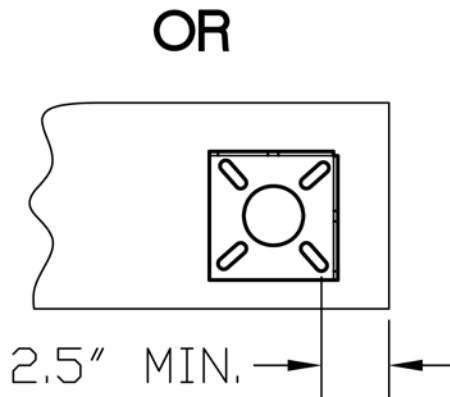
SQUARE FOOTER



ROUND FOOTER



CONCRETE SLAB



NOTE:

MAINTAIN MINIMUM 2.5" FROM DRIVE ANCHOR TO EDGE OF CONCRETE SURFACE IN ANY DIRECTION.

INSTALLATION INSTRUCTIONS FOR 120VAC LED BOLLARDS

INSTALLATION:

1. **WARNING:** Make sure power is off before installing or servicing this fixture. Failure to do so may result in severe injury or death.
2. **INSTALL** bollard mounting base on a concrete footing or by direct burial as indicated on the accompanying instructions for specific mounting method.
3. **CONNECT** conductors from the supply circuit to the luminaire input leads in accordance with NEC requirements. Weatherproof wire connectors are provided for this purpose. Tie wires so they will not lie on ground after installation.
4. **SET TUBE** onto the baseplate oriented such that the two set screw slots align with the two threaded holes in the mounting base. (See Figure 1)
5. **INSERT** the set screws and tighten until the screw heads contact the surface of the tube. Continue alternately tightening each set screw a half turn until tube is drawn securely into corner of mounting base.
(See Figure 2)

INSTALLATION INSTRUCTIONS FOR 120VAC LED BOLLARDS

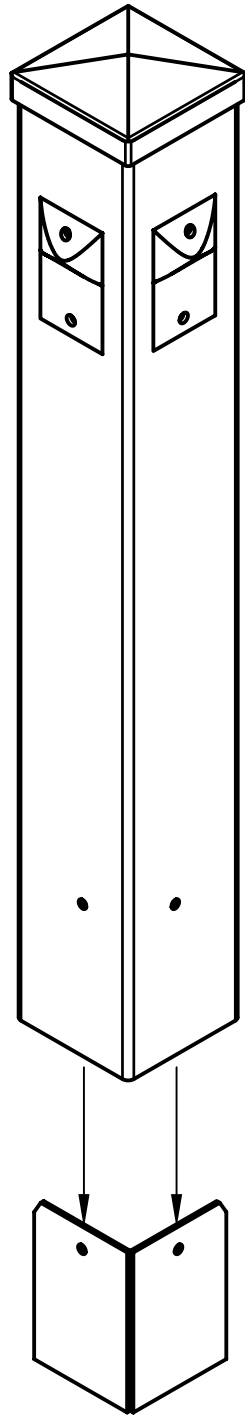


FIG. 1

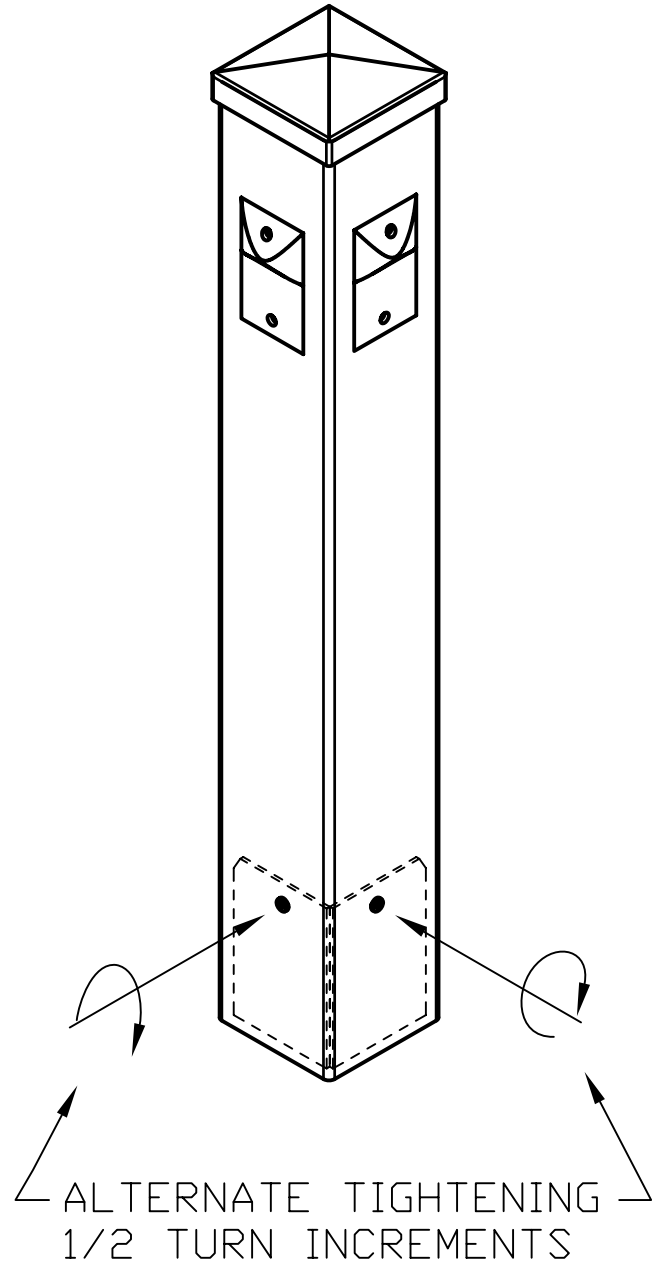


FIG. 2