

INSTALLATION & OPERATION INSTRUCTIONS

V.010102

IMPORTANT SAFEGUARDS

1. READ AND FOLLOW ALL SAFETY INSTRUCTIONS.

2. Review the diagrams thoroughly before beginning. If you feel you do not have electrical wiring experience, refer to a do-it-yourself wiring handbook or have your fixture installed by a qualified licensed electrician.
3. All electrical connections must be in accordance with local codes, ordinances, and the National Electric Code. If you are unfamiliar with methods of installing electrical wiring, secure the services of a qualified licensed electrician.
4. Before starting the installation, disconnect the power by turning off the circuit breaker or by removing the appropriate fuse at the fuse box. Turning the power off using the light switch is not sufficient to prevent electrical shock.
5. Do not use outdoors.
6. Do not let power supply cords touch hot surfaces.
7. Do not mount near gas or electric heaters.
8. Use caution when servicing batteries. Battery acid can cause burns to skin and eyes. If acid is spilled on skin or in eyes, flush acid with fresh water and contact a physician immediately.
9. Equipment should be mounted in location and at heights where it will not readily be subject to tampering by unauthorized personnel.
10. The use of accessory equipment not recommended by the manufacturer may cause an unsafe condition.
11. Do not use this equipment for other than intended use.
12. All servicing should be performed by qualified personnel only.
13. Allow battery to charge for 24 hours before first use.

UNPACK THE FIXTURE

Check the contents of the box. You should receive:

- 1- Mounting plate
- 1- Fixture
- 2- Lens
- 1- Hardware package

NOTE: First turn off electricity.

Wall Mounting

1. Remove mounting plate from fixture by prying with screwdriver. (see Fig.1)
2. Insert screwdriver to make appropriate keyhole slots open on mounting plate.

3. Pass white (neutral) and either black 120V or orange 277V hot, wire leads through center hole of mounting plate, make electrical connections in junction box, see electrical connection below. You may use hanging hook to hang fixture while making connection. Cap off unused hot lead.
4. Mount mounting plate to junction box with screw provided 8#32 X 1" long.
5. Connect red lead to battery positive terminal.(see Fig. 2)
6. Snap on fixture to mounting plate.
7. Restore power and press test button. Battery powered bulbs will come on. AC light will turn off.

Ceiling Mounting

1. Remove mounting plate from fixture by prying with screwdriver.(see Fig. 3)
2. Open top cover and knockout on the top of fixture.
3. Secure the mounting plate to tube with nut.
4. Pass white (neutral) and either black 120V or orange 277V hot, wire leads through center hole of mounting plate. make electrical connections in junction box, see electrical connection below. You may use hanging hook to hang fixture while making connection. Cap off unused hot lead
5. Connect red lead to battery positive terminal.(see Fig. 4)
6. Snap on fixture to mounting plate.
7. Restore power and press test button. Battery powered bulb will come on. AC light will turn off.

ELECTRICAL CONNECTIONS

Connect white wire lead from fixture to white (neutral) wire supply feed from circuit. Connect black 120V or orange 277V, (depending on supply voltage), wire lead from fixture to black (hot) wire from supply circuit. Use U.L. Listed wire connectors suitable for the size, type, and number of conductors. No loose strands or loose wires should be present. Secure wire connectors with U.L. listed electrical tape.

Relamping

1. Snap off to remove lens.
2. Install bulb

CAUTION: Refer to relamping label located near lampholder for recommended maximum wattage. **DO NOT EXCEED RECOMMENDED MAXIMUM WATTAGE.(6V 5W)**

SAVE THESE INSTRUCTIONS

980XXX0104

Rev.0

CEILING MOUNTING

MOUNTING PLATE
PLACA DE MONTAJE

ORANGE (FOR 277V CONNECTION)
ANARANJADO (PARA CONEXIÓN DE 277V)

NUT
TUERCA

BLACK (FOR 120V CONNECTION)
NEGRO (PARA CONEXIÓN DE 120V)

TOP COVER
CUBIERTA SUPERIOR

FIXTURE
ALUMBRADO

PIPE
TUBO

SCREW
TORNILLO

PIPE CONNECTOR
CONECTOR DE TUBO

KNOCKOUT
PREPUNONADO

WHITE (NEUTRAL)
BLANCO (NEUTRAL)

WIRE CONNECTOR
EL CONECTOR DEL ALAMBRE

BULB
AMPOULE

LENS
LENTE

Fig.3

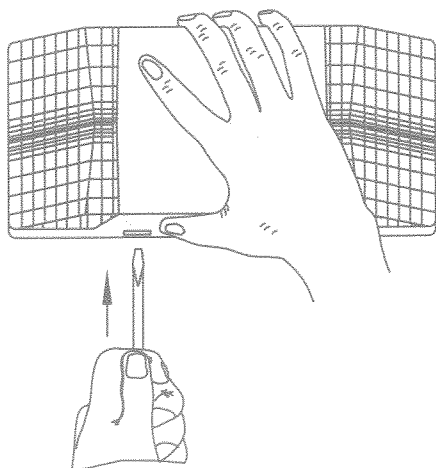
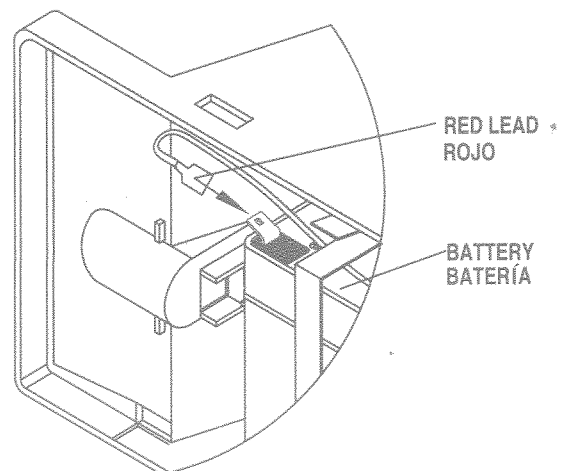


Fig.4



RED LEAD
ROJO

BATTERY
BATERÍA

WALL MOUNTING

ORANGE (FOR 277V CONNECTION)
ANARANJADO (PARA CONEXIÓN DE 277V)

MOUNTING PLATE
PLACA DE MONTAJE

WHITE (NEUTRAL)
BLANCO (NEUTRAL)

JUNCTION BOX
CAJA DE EMPALME

BLACK (FOR 120V CONNECTION)
NEGRO (PARA CONEXIÓN DE 120V)

WIRE CONNECTOR
EL CONECTOR DEL ALAMBRE

SLOT
ORIFICIOS

SCREW
TORNILLO

BULB
AMPOULE

LENS
LENTE

FIXTURE
ALUMBRADO

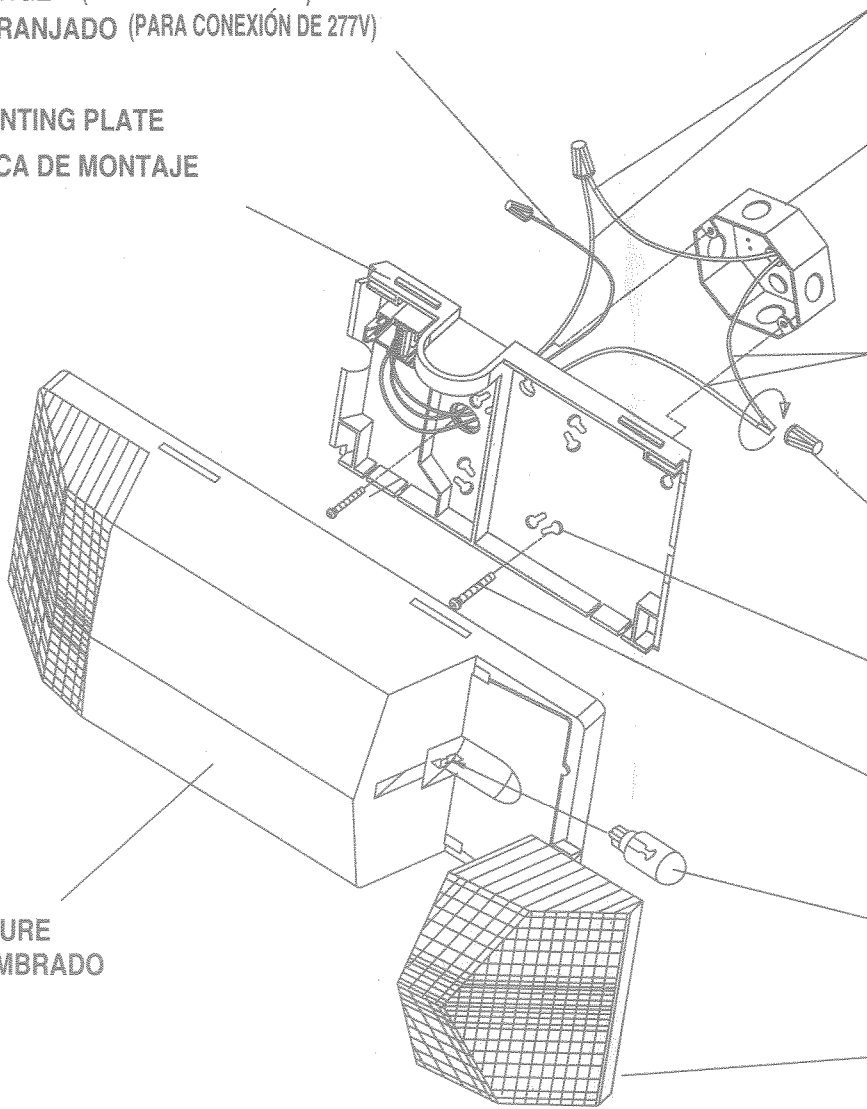


Fig.1

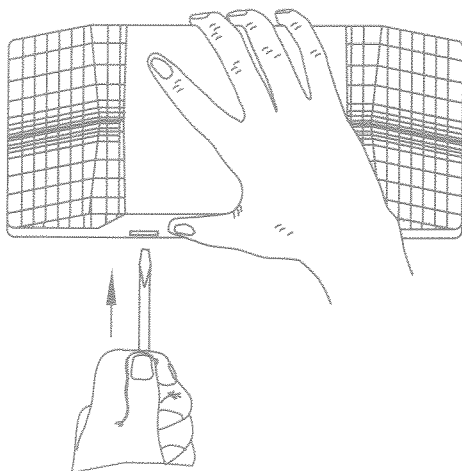


Fig.2

