

GENERAL DESCRIPTION

The CN4X series emergency lighting unit features an enclosure and lamp heads that are resistant to harsh corrosive environments and is suitable for wet locations.

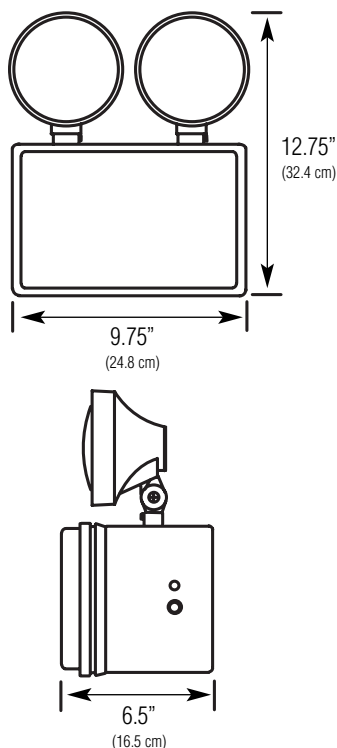
ILLUMINATION

Illumination is provided by two 6 VDC, 7.2 watt fully adjustable Par 36 style lamp heads.

INSTALLATION

Surface wall mounting is accomplished via the pre-assembled mounting feet.

DIMENSIONS



Dimensions are approximate and subject to change.

CN4X Series Emergency Lighting

Wet Location, Corrosion Resistant Sealed, Maintenance-Free Lead Calcium Battery



HOUSING

Constructed of corrosion-resistant grey fiberglass that includes a low profile test switch and indicator light. The CN4X is resistant to corrosive atmospheres, harsh environments and is UL Listed for wet locations.

ELECTRONICS

Universal 120/277 VAC operation AC indicator lamp with test switch. Solid state circuitry provides a reliable charging system. Standard features include low voltage disconnect, A/C lockout and burnout protection.

BATTERY

Maintenance free, sealed lead calcium battery

Supplies 90 minutes of emergency power

Estimated service life of 5 years

Operating temperature range of 44°F (5°C) to 104°F (40°C)

ELECTRICAL SPECIFICATIONS

120 VAC, 60HZ, .050A

277 VAC, 60HZ, .021A



SHOWN: CN4X

CODE COMPLIANCE

UL 924 listed

UL wet location listed

NFPA 101, NEC, BOCA, OSHA and IBC illumination standards

WARRANTY

One year full electronics warranty

One year full plus four year prorated battery warranty

ORDERING INFORMATION

CN4X

SERIES

CN4X = Corrosion Resistant Emergency Lighting Unit
6 Volt, 15 Watt Emergency Lighting Fixture

Specification Data for CN4X Emergency Lighting Unit

SUGGESTED SPECIFICATION

Furnish and install Chloride's wet location emergency lighting model _____ . The unit shall be constructed to meet Underwriter's Laboratories, Inc. Standard #924 and must be installed to conform to Article 700 of the National Electrical Code (NEC).

INSTALLATION AND OPERATION - Unit shall be easily field connected to a 120 or 277 VAC, 60 hertz, unswitched power source. Installation must comply with the NEC as well as other applicable codes. Upon utility power failure or brownout, the unit shall automatically provide emergency battery power and maintain the stated illumination level and output wattage for a minimum period of 90 minutes. Upon restoration of utility power, the charging circuitry shall restore the battery to full charge within UL 924 requirements following a rated discharge of not more than 90 minutes. The unit shall be wet location listed standard.

CHARGING CIRCUITRY - Unit shall utilize a solid-state, fully automatic, voltage regulated charging system which will maintain the battery at full capacity without the need for periodic exercising or equalization. The following features shall be standard: low voltage disconnect (LVD), brownout protection and AC lockout.

BATTERY - The battery shall be maintenance free, sealed lead calcium with an optimum operating temperature range of 44°F (5°C) to 104°F (40°C). All normal gassing shall be contained within the battery casing, and will not escape into the atmosphere. Gasses created during recharge cycles will recombine with existing electrolyte. The battery shall have a recommended service life of 5 years when operated at optimum operating temperature.

ILLUMINATION - Illumination shall be provided by two 6 VDC, 7.2 watt adjustable Par36 style lamp heads.

HOUSING - The housing shall be constructed of corrosion resistant, UL 94 V-0, 5 VA grey fiberglass, including a low profile test switch and indicator light. The unit is resistant to corrosive atmospheres, harsh environments and is UL Listed for wet locations.



CHLORIDE
SYSTEMS

272 West Stag Park Service Road • Burgaw NC 28425
Telephone: (910) 259 1000 • Facsimile: (800) 258 8803
www.chloridesys.com

C1346R7
9/11 IH