

GENERAL DESCRIPTION

The EXL Edge-Lit Exit is ideal for use in hazardous locations where explosive materials may be present. The Hazardous Fixtures are suitable for use in extreme hazardous location areas.

Temperature performance data based for Class I, Groups C & D and Class II, Groups E, F, & G:

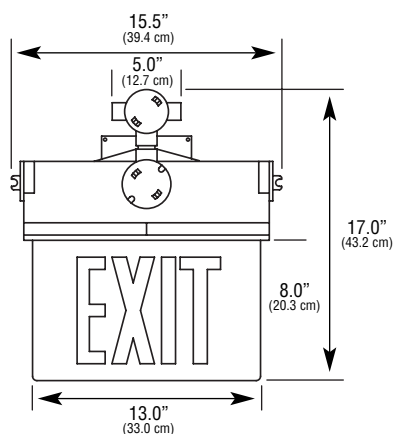
Ambient Temp (°C)	Rating
25	T3C
40	T3C

Supply wire rating of 150°C

ILLUMINATION

Requires two 60 watt 60T10 clear incandescent lamps wired in parallel (lamps not included.) Includes 6" red lettering on white acrylic panel.

DIMENSIONS



Dimensions are approximate and subject to change.

EXL Series Edge-Lit Exit Explosion Proof Hazardous Location Edge-Lit Exit

HOUSING

Copper-free cast aluminum enclosure designed to withstand the pressure of explosions generated by internal arc without propagating them into the hazardous atmosphere.

Pendant mount fixture has 3/4" top hub.

ELECTRONICS (AC ONLY)

120 VAC input

CODE COMPLIANCE

UL listed to 844

NFPA 101, NEC, BOCA, OSHA and IBC illumination standards

Suitable for use in Type 7, Class I, Groups C & D; Type 9, Class II, Groups E, F & G hazardous location areas



SHOWN: EXL23AA

ORDERING INFORMATION (EXAMPLE: EXL23AA)



SERIES

EXL = EXL Edge-Lit
Exit for Hazardous
Locations



MOUNTING/FACES

21A = Wall Mount, Single Face
22AA = End Mount, Double Face
23AA = Pendant Mount, Double Face



OPTIONS

B = Arrow Right
BC = Double Face, Arrow Left or Right
C = Arrow Left
D = Double Arrow
DD = Double Face, Double Arrow
GN = Green Letters

ACCESSORIES (order as a separate line item)

ECT413 = 277 VAC Transformer Kit

SUGGESTED SPECIFICATION

Furnish and install Chloride's hazardous exit sign fixture model _____. The exit shall be constructed to meet Underwriter's Laboratories Inc. Standard #844 and the National Electrical Code (NEC). Internal illumination of the sign face shall be accomplished by two 60 watt 60T10 clear incandescent lamps wired in parallel (lamps not provided.) Fixture shall include a white acrylic panel with 6" red lettering. Housing shall be copper-free cast aluminum designed to withstand the pressure of explosions generated by internal arc without propagating them into the atmosphere.



CHLORIDE
SYSTEMS

272 West Stag Park Service Road • Burgaw NC 28425
Telephone: (910) 259 1000 • Facsimile: (800) 258 8803
www.chloridesys.com

C1144R10
7/10 IH