

CHLORIDE SYSTEMS

TYPE: _____

CATALOG NO.: _____

GENERAL DESCRIPTION

The Fusion III is an architectural grade lighting product based on the latest technology in high-output white LEDs. Nickel metal hydride batteries and a diagnostic charger allow for normally on security and emergency lighting in one fixture. Self-powered models may be wired to allow independent wall switching when line voltage is present. Failure of line voltage will cause automatic emergency transfer. Fusion III is available in a wide range of decorative finishes to blend with any setting. Fusion III meets the Buy American requirements.

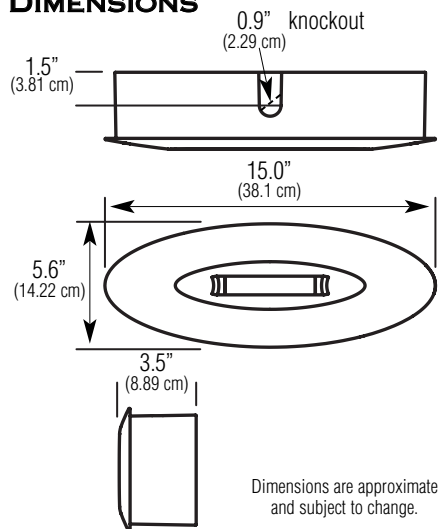
ILLUMINATION

Illumination is provided by two field-replaceable, independently powered white LED modules and a vacuum plated polycarbonate reflector. The reflector design has been optimized to produce one-foot candle average illumination along a 5'x27' path of egress, with multiple fixtures, when placed at a mounting height of 10' AFF. IES photometric data files are available.

INSTALLATION

The Fusion III housing is designed for direct mounting to a 3½" or 4" octagonal or single gang junction boxes using convenient keyhole knockouts. The unit may also be connected to conduit via its conduit entry knockout. A bar hanger kit is provided for recessed mounting.

DIMENSIONS



Fusion III

Architectural White LED Lighting Fixture

Optional Emergency Packages

7.2 Volt, 12 Watt, White LED Lamps

NiMH Battery, Standard Self-Diagnostics Electronics*

Damp Location Listing Standard



HOUSING

Durable, die cast aluminum housing and cover with UV stabilized polycarbonate lens.

A full range of pleasing architecturally inspired powder coated finishes are available (see below).

A bar hanger kit is supplied standard to accommodate recessed ceiling mount applications. The unit may also be surface ceiling mounted directly or with the use of standard 3½" or 4" octagonal or single gang junction box.

A knockout is provided on the housing for conduit installations.

Tamperproof hardware is available as an option.

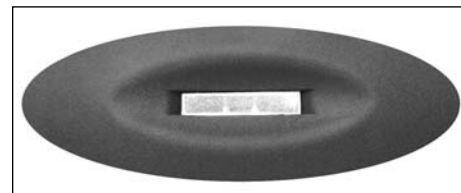
INTELLI-CHARGE ELECTRONICS AC Only - 120/277 VAC dual voltage input with surge protection is standard on all models.

Emergency Operation - Charging system is microprocessor driven with software embedded diagnostic routine and temperature compensation. See specification sheet C1059 for electronics details. 120/277 VAC input, surge protection, brownout, AC lockout and low voltage disconnect features are standard.

INTELLI-CHARGE SELF-TESTING DIAGNOSTICS (OPTIONAL)

The Intelli-Charge diagnostic/charging platform with self-testing mode automatically runs a one-minute self-test every 30 days and a 30-minute test on the sixth and twelfth month. A one-minute or 90-minute test may be initiated via the push to test switch on the unit or by activating the appropriate test command on the optional IR test device.

*Self-powered models incorporate the Intelli-Charge diagnostics electronics package. Self-testing is a factory installed option.



SHOWN: F3NBRIC

OPERATING TEMPERATURE RANGE

Self-Powered

Damp Location: 32°F (0°C) to 104°F (40°C)

AC-Only and 2-CKT Models

Damp Location: -40°F (-40°C) to 104°F (40°C)

BATTERY

Maintenance-free sealed nickel metal hydride with 10-year life.

CODE COMPLIANCE

UL 924 listed

UL damp location listing standard

NFPA 101, NEC, BOCA, OSHA, and IBC illumination standards

UL 1598 Non-IC

ELECTRICAL SPECIFICATIONS

Input Power Requirements

AC-Only Models

120 VAC: 60 Hz, 0.203A

277 VAC: 60 Hz, 0.087A

Self-Powered Models

120 VAC: 60 Hz, 0.198A

277 VAC: 60 Hz, 0.088A

WARRANTY

Three year full electronics warranty

Five year full plus five year pro-rated NiMH battery warranty

ORDERING INFORMATION (EXAMPLE: F3NBRIC)

F3			IC	
SERIES F3 = Fusion III LED Fixture	BATTERY A = AC Only N = Self-Powered Emergency Unit with Nickel Metal Hydride Battery (NiMH)	HOUSING FINISH W = White B = Black A = Aluminum G = Gunmetal BR = Ornamental Bronze AC = Aged Copper VG = Velvet Green N = Nickel GA = Granite	MODEL DESIGNATOR IC = Intelli-Charge Diagnostics	FACTORY INSTALLED OPTIONS 2CKT1 = Two-Circuit 120/120 VAC (AC only models) 2CKT2 = Two-Circuit 277/277 VAC DC = Universal 12-48 VDC Remote Emergency Input (AC only models) EX = Special Input Transformer (specify voltage & frequency) ¹ T = Self-Testing Diagnostics (non-audible) TA = Audible Self-Testing Diagnostics TP = Tamperproof

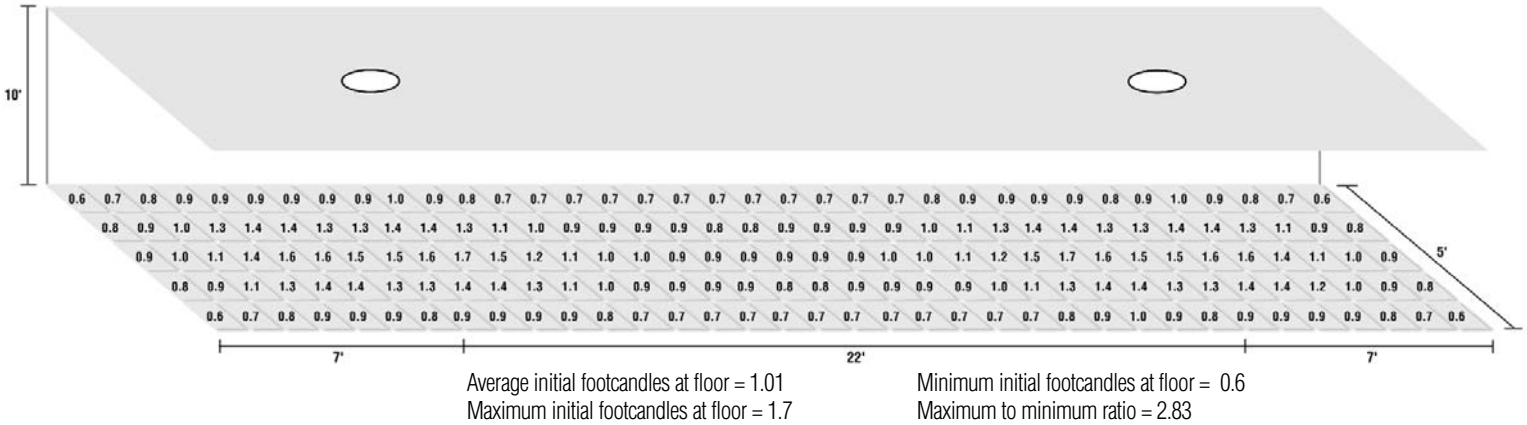
ACCESSORIES (order as a separate line item)
ICIR = Intelli-Charge infra-red remote
T15TPTOOL = Tamperproof Screwdriver

NOTES:
1) Some options may impact UL listing. Consult factory for specifics.

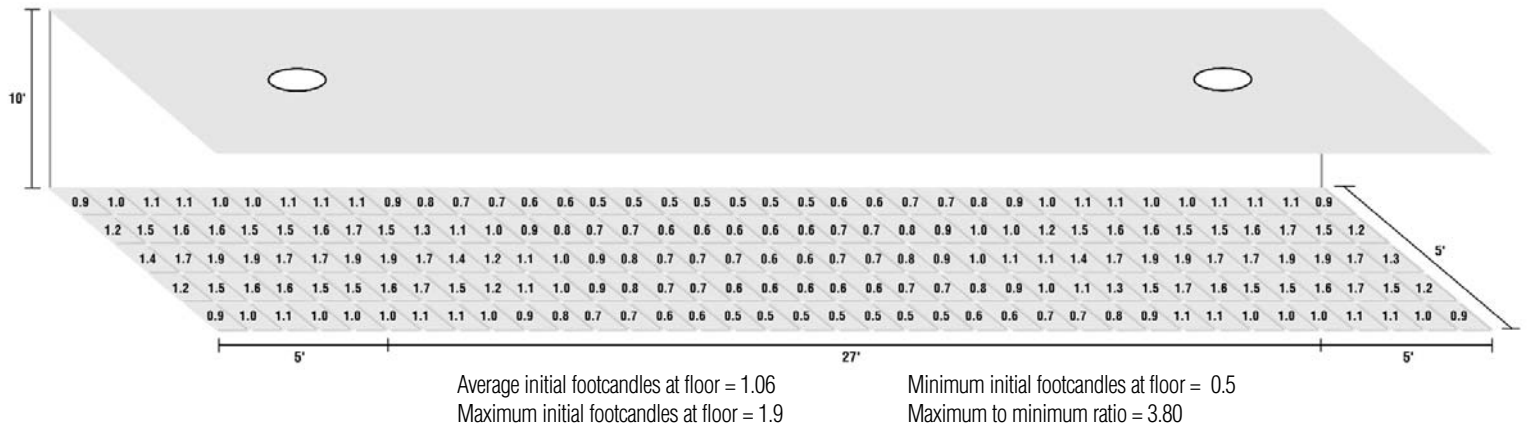
Specification Data for Fusion III

PHOTOMETRIC DATA

Recessed Ceiling Mount in AC Mode, 10' AFF, Two Fixtures



Recessed Ceiling Mount in Emergency Mode, 10' AFF, Two Fixtures



SUGGESTED SPECIFICATION

Furnish and install Chloride's Fusion III lighting fixture model _____. The unit shall be constructed to meet Underwriters Laboratories, Inc. Standard #924 and must be installed to conform to Article 700 of the National Electrical Code (NEC).

INSTALLATION AND OPERATION – Unit shall be easily field connected to a 120 or 277 VAC, 60 hertz, unswitched power source. Installation must comply with the NEC as well as other applicable codes.

CHARGER (Emergency Operation Only) – All self-powered models shall be provided with Chloride's Intelli-Charge diagnostics electronics platform. Intelli-Charge will detect and notify the installer regarding incorrect wiring of the transformer primary and will restrict the damaging effects on the printed circuit board. The Intelli-Charge electronics package shall provide continuous, real-time monitoring of all the critical equipment functions including, but not limited to: line voltage status and condition, charger fault, transfer fault, battery fault, and LED load fault and notify personnel with a visual indicator sequence. Optional audible diagnostics as well as self-testing diagnostics shall be available from the factory. The self-testing option shall satisfy the periodic testing requirements in NFPA 101, Life Safety Code as well as the International Building Code (IBC). The Intelli-Charge circuit shall continuously sample ambient temperature conditions and adjust the charging regime to compensate for typical and dramatic ambient conditions to maximize the life of the battery. An on-board IR receiver shall be standard and pre-programmed to operate from an optional IR user interface device (available as an accessory item). Upon utility power failure or brownout, the unit shall automatically provide emergency battery power and maintain the stated illumination level output wattage for a minimum period of 90 minutes. Upon restoration of utility power, the charging circuitry shall restore the battery to full charge within UL 924 requirements following a rated discharge of not more than 90 minutes.

BATTERY (Emergency Operation Only) – The battery shall be maintenance-free nickel metal hydride. The NiMH battery shall provide trouble-free operation in temperatures ranging from 32°F (0°C) to 104°F (40°C) and is suitable for use in damp location applications. The battery shall be tested and recognized in accordance with the accelerated life testing requirements of the IEC. The battery shall be supplied with a five-year full warranty.

ILLUMINATION – Illumination shall be provided by two six-watt white LED modules used in conjunction with a vacuum metallized polycarbonate reflector. Adjacent fixtures mounted 27' apart shall provide one foot-candle average in the emergency mode when mounted at a 10' mounting height above finished floor.

HOUSING – Housing construction shall be of premium die cast aluminum with a UV stabilized polycarbonate diffusing lens. The unit shall be available in multiple colors and finishes. The unit shall be wall mounted to standard 3 1/2" octagonal and single gang junction boxes. The unit shall also provide a knockout for conduit entry. A bar hanger kit shall be provided for recessed mounting.



CHLORIDE
SYSTEMS

272 West Stag Park Service Road • Burgaw NC 28425
Telephone: (910) 259 1000 • Facsimile: (800) 258 8803
www.chloridesys.com

C1602R5
10/10 IH