

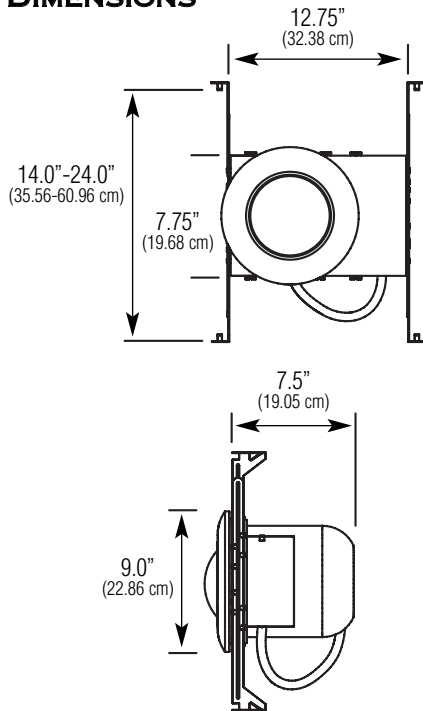
## GENERAL DESCRIPTION

The RG is a self-contained recessed Par 36 gimbal emergency lighting fixture. The RG is ideal for commercial and institutional areas where low level or suspended ceiling installed emergency lighting is desired. The fixture's matte white trim ring and gimbal assembly blends nicely with existing recessed lighting schemes.

## ILLUMINATION

Illumination is provided by a high output tungsten or halogen lamp head. The lamp can be adjusted in two planes up to 26° for application flexibility.

## DIMENSIONS



Dimensions are approximate and subject to change.

# RG

## Recessed Par 36 Adjustable Emergency Unit 6 Volt Self-Contained Recessed Gimbal Fixture



SHOWN: RGN8

## HOUSING

Aluminum housing and gimbal assembly with a compact, low profile design.

Housing and gimbal assembly are standard with a matte white finish.

Mounting clips provided for direct installation.

Easy recessed installation in suspended ceilings.

Trim kit included for plaster and sheetrock ceiling installation.

## ELECTRONICS

120/277 VAC dual voltage input with surge-protected, solid-state charging circuitry provides for a reliable charging system.

Charging system is complete with low voltage disconnect, AC lockout, brownout protection, AC indicator lamp and test switch.

All electronics are completely self-contained.

## BATTERY

Maintenance free, sealed lead calcium or nickel cadmium battery

Supplies 90 minutes of emergency power

Sealed lead calcium has an estimated service life of 5 years

Sealed nickel cadmium battery has an estimated service life of 10 years

Operating temperature range of 65°F (19°C) to 85°F (30°C)

## CODE COMPLIANCE

UL 924 listed

NFPA 101, NEC, BOCA, OSHA and IBC illumination standards

Model RG12C is City of Chicago Environmental Airspace (CCEA) listed

## ELECTRICAL SPECIFICATIONS

Input Power Requirements

120 VAC - 0.08 amps, 8.4 watts

277 VAC - 0.03 amps, 8.8 watts

## WARRANTY

Three year full electronics warranty

One year full plus four year prorated lead calcium battery warranty

Five year full plus five year prorated nickel cadmium battery warranty

## ORDERING INFORMATION (EXAMPLE: RGN8)

RG

### SERIES

RG = Recessed Gimbal

### BATTERY TYPE

Blank = Lead Calcium 12 Watts  
N = Nickel Cadmium

### LAMP TYPE

7 = 6 Volt, 7 Watt Tungsten  
8 = 6 Volt, 8 Watt Halogen  
12C = 6 Volt, 12 Watt Tungsten<sup>1</sup>

NOTE: 1) 12C model only available with lead calcium battery.

# Specification Data for RGH1 Self-Contained Recessed Gimbal Fixture

## HOUSING

Spun aluminum housing and gimbal assembly with a compact, low profile design. Matte white finish is standard on the trim ring and gimble.

Mounting clips provided for direct installation.

Easy recessed installation in suspended ceilings with the optional plaster ring framing kit. The plaster ring framing kit is also useful for new installations.

## ELECTRONICS

### AC Only

Dual voltage 120/277 VAC input is standard.

### Emergency Operation

120/277 VAC dual voltage input with surge-protected, solid-state charging circuitry provides for a reliable charging system. The charging system is furnished with low voltage disconnect, AC lockout, brownout protection, AC indicator lamp and test switch.

The low voltage disconnect (LVD) feature will disconnect the battery prior to an unacceptable deep discharge, but not before the required 90 minute emergency operation.

The AC lockout feature prevents battery drain prior to the initial energizing of utility power, and allows the installer to complete all wiring and electrical connections without energizing the emergency circuit.

The brownout protection circuitry will automatically switch the unit into the emergency mode if the utility voltage sags below 20% of nominal.

Battery charging circuitry is entirely solid-state, and utilizes a fully automatic, voltage regulated charger. Battery recharge time after full discharge is less than the required UL 924 standard.

Line sensitive electronics cause an instantaneous transfer to battery power if utility power is lost, or a brownout condition is detected. When line voltage is present and stabilized, the transfer circuitry switches back to normal operation and begins recharging the battery. The transfer circuitry can be tested via a momentary test switch located on the housing.

## BATTERY

Maintenance-free sealed lead calcium or nickel cadmium battery supplies 90 minutes of emergency power.

Sealed lead calcium battery has an estimated service life of 5 years while the sealed nickel cadmium battery has an estimated service life of 10 years.

Operating temperature range is 65°F (19°C) to 85°F (30°C).

## ELECTRICAL SPECIFICATIONS

### Input Power Requirements

120 VAC - 0.08 amps, 8.4 watts

277 VAC - 0.03 amps, 8.8 watts

## CODE COMPLIANCE

The RG meets or exceeds all performance standards as required by UL 924, NFPA 101, NEC, BOCA, OSHA and IBC.

Model RG12C is City of Chicago Environmental Airspace (CCEA) listed.

## SUGGESTED SPECIFICATION

Furnish and install Chloride's decorative emergency lighting model RG. The unit shall be constructed to meet Underwriter's Laboratories, Inc. Standard #924 and the National Electrical Code (NEC).

**INSTALLATION AND OPERATION** - Unit shall be easily field connected to a 120 or 277 VAC, 60 hertz, unswitched power source. Installation must comply with the NEC as well as other applicable codes. (Emergency Operation Only) - Upon utility power failure or brownout, the unit shall automatically transfer to battery power and maintain the required illumination for a minimum period of 90 minutes. Upon restoration of utility power, the charger shall restore the battery to full charge within UL 924 requirements following a rated discharge of not more than 90 minutes.

**CHARGER (Emergency Operation Only)** - Product shall utilize a fully automatic, solid-state charging system which will maintain the battery at full capacity without the need for periodic exercising or equalization. The following features shall be standard: low voltage disconnect (LVD), brownout protection and AC lockout.

**BATTERY (Emergency Operation Only)** - The battery shall be maintenance free, sealed lead calcium or nickel cadmium with an optimum operating temperature range of 65°F (19°C) to 85°F (30°C). Sealed lead calcium battery shall be provided with a one year warranty while the nickel cadmium battery shall be provided with a five year warranty.

**ILLUMINATION** - The RG shall incorporate a sealed beam halogen or tungsten lamp. The lamp shall be adjustable in two planes up to 26°.

**HOUSING** - The housing and gimbal assembly shall be constructed of aluminum. A matte white finish is standard. Mounting clips shall be provided for direct installation.



**CHLORIDE**  
SYSTEMS

272 West Stag Park Service Road • Burgaw NC 28425  
Telephone: (910) 259 1000 • Facsimile: (800) 258 8803  
www.chloridesys.com

C1097R12  
6/09 IH