

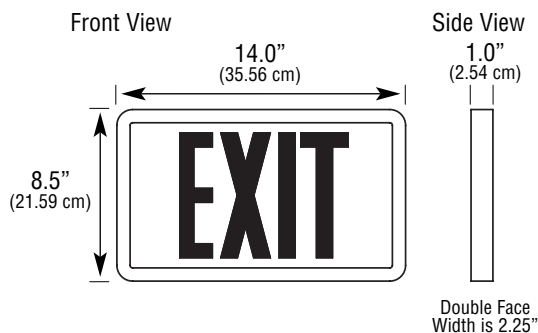
GENERAL DESCRIPTION

The Self-Luminous Series is an attractive exit sign with proven reliability in industrial, commercial and public facilities. The energy-efficient Self-Luminous Series does not require external power, thus eliminating wiring and minimizing installation costs with no further maintenance required. These signs can solve unique installation problems quickly and reliably.

ILLUMINATION

Illumination of the exit stencil face is accomplished with borosilicate glass sealed tubes internally coated with zinc sulfide phosphor and filled with tritium gas. The sign is available with either 10, 15 or 20 year life.

DIMENSIONS



NOTE: See reverse for complete dimension information.

Dimensions are approximate and subject to change.

Self-Luminous Series Tritium Exits

Operates Without External Power Source 10, 15 or 20 Year Life



HOUSING

Attractive ABS flame retardant housing comes standard with a gray frame, black or white frames are optional.

Easy installation for ceiling, wall or flush mount applications. Universal mounting bracket is supplied standard.

Design incorporates a high impact acrylic lens, polycarbonate lens option available.

Field selectable chevrons.

Designed to operate in harsh, corrosive, humid or explosive environments.



SHOWN: C3RU20S

ELECTRONICS

No external power source required.

No maintenance costs.

Illumination level will exceed the .15 foot Lambert minimum for the entire service life

Suitable for California low level applications.

Lifetime of 10, 15 or 20 Years

CODE COMPLIANCE

UL 924 listed
NFPA 101, NEC (Article 500, Class I & II conditions), BOCA, OSHA and IBC illumination standards
State of California
City of Los Angeles
USNRC
Meets ICBO and SBCCI requirements

WARRANTY

10, 15 or 20 year warranty provided, depending on the product useful life version.

ORDERING INFORMATION (EXAMPLE: C3RU20S)

<div style="border: 1px solid black; width: 40px; height: 40px; display: flex; align-items: center; justify-content: center; margin: 0 auto;">C3</div> <p>SERIES</p> <p>C3 = Tritium Exit</p>	<div style="border: 1px solid black; width: 40px; height: 40px; display: flex; align-items: center; justify-content: center; margin: 0 auto;"> </div> <p>FACE COLOR</p> <p>R = Red G = Green</p>	<div style="border: 1px solid black; width: 40px; height: 40px; display: flex; align-items: center; justify-content: center; margin: 0 auto;">U</div> <p>ARROW</p> <p>U = Universal</p>	<div style="border: 1px solid black; width: 40px; height: 40px; display: flex; align-items: center; justify-content: center; margin: 0 auto;"> </div> <p>USEFUL LIFE</p> <p>10 = 10 Year Life 15 = 15 Year Life 20 = 20 Year Life</p>	<div style="border: 1px solid black; width: 40px; height: 40px; display: flex; align-items: center; justify-content: center; margin: 0 auto;"> </div> <p># OF FACES</p> <p>S = Single D = Double</p>	<div style="border: 1px solid black; width: 40px; height: 40px; display: flex; align-items: center; justify-content: center; margin: 0 auto;"> </div> <p>FACTORY INSTALLED OPTIONS</p> <p>AF = Anodized, Brushed Aluminum Frame BK = Black Plastic Frame IF1 = Black Anodized Aluminum Vandal Resistant Frame ¹ IF5 = Brushed Aluminum Vandal Resistant Frame ¹ PW = Polycarbonate Lens WH = White Plastic Frame RM = Recessed Mount</p>
--	---	--	--	---	---

ACCESSORIES (order as a separate line item)

PKITTRB 12" Pendant Kit, Black

PKITTRG 12" Pendant Kit, Gray

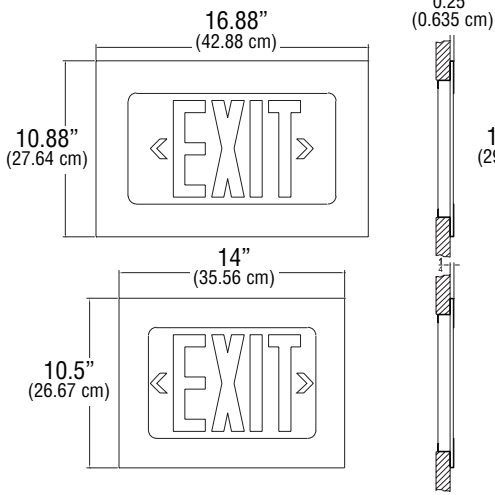
PKITTRW 12" Pendant Kit, White

PCS1 Polycarbonate Vandal Shield

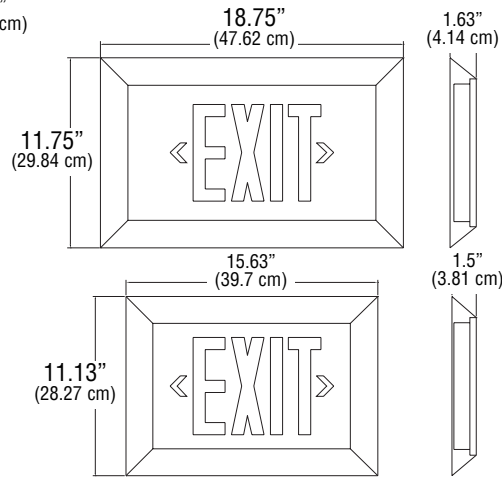
NOTE: 1) Available on single face exits only

Specification Data for Self-Luminous Series Tritium Exits

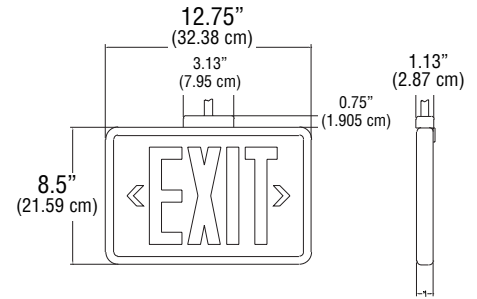
Recessed Mount



Institutional Frame



With Mounting Bracket



SUGGESTED SPECIFICATION

Furnish and install Chloride's exit sign model _____. The exit shall be constructed to meet Underwriter's Laboratories Inc. Standard #924 and the National Electrical Code (NEC). Internal illumination of the sign face shall be provided by sealed phosphor-coated tubes containing tritium gas. The exit shall have a _____ (10, 15 or 20) year life. The exit housing shall consist of a flame retardant gray (white, or black) frame, and a high impact acrylic red or green face. The exit shall be easy to install and shall have field-selectable chevrons.



CHLORIDE
SYSTEMS

272 West Stag Park Service Road • Burgaw NC 28425
Telephone: (910) 259 1000 • Facsimile: (800) 258 8803
www.chloridesys.com

C1031R15
9/11 IH