

GENERAL DESCRIPTION

Splendore is a state of the art architectural emergency lighting product based on high-output white LEDs. The normally on mode may be locally switched or dimmed and an optional two-circuit input is available for emergency illumination powered by a generator or inverter system. It is available in a wide range of decorative finishes to blend with any setting. Die cast exits with complementary finishes are also available. Splendore meets the Buy American requirements.

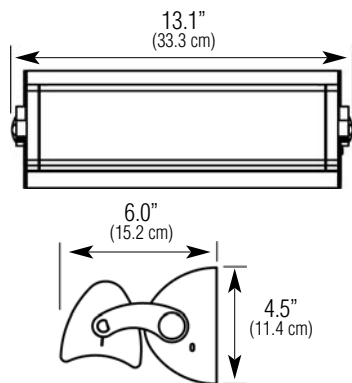
ILLUMINATION

Illumination is provided by two 3 watt, white LEDs and a specular Miro 4 (Alanod™) aluminum reflector. The lamp head assembly may be rotated in five-degree increments over a range of 60 degrees for ideal distribution along the egress path. Splendore will provide one foot-candle average illumination over a 12' long path of egress for a single fixture and 26' centers for multiple fixtures. IES photometric data files are available on our website.

INSTALLATION

Splendore is designed to be wall mounted to a 3-1/2" octagonal junction box. Installation is quick and easy using simple two-piece snap together construction. The backplate is provided with convenient keyhole slots for mounting and a tamperproofing option is available.

DIMENSIONS



Dimensions are approximate and subject to change.

Splendore Normally On Architectural Egress Lighting

Two Three-Watt Dimmable LED Lamps Two-Circuit Option For Emergency Lighting



HOUSING

Robust die cast and extruded aluminum housing. A full range of pleasing architecturally inspired finishes are available (see below). Wall mount to standard 3-1/2" octagonal junction box.

ELECTRONICS

120/277 VAC dual voltage input.

ELECTRICAL SPECIFICATIONS

Input Power Requirements at 120 VAC
120 VAC - 0.10 Amps - 11.73 Watts

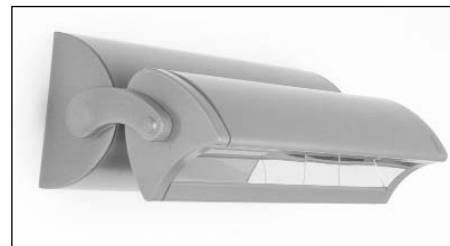
Input Power Requirements at 277 VAC
277 VAC - 0.04 Amps - 11.61 Watts

MODES OF OPERATION

AC Only - Accommodates 120/277 VAC dual input. This model may be controlled by a wall switch or dimming circuit.

2CKT1 - Offers the AC-only input but includes a 120/120 utility and emergency feed from a generator or AC inverter system for egress lighting.

2CKT2 - Offers the AC-only feature but includes a 277/277 utility and emergency feed from a generator or AC inverter system for egress lighting.



SHOWN: SNON

CODE COMPLIANCE

UL 924 listed

UL damp location listing standard

NFPA 101, NEC, BOCA, OSHA and IBC illumination standards

WARRANTY

Three year full electronics warranty.

OPERATING TEMPERATURE RANGE

-22°F (-30°C) to 104°F (40°C)

ORDERING INFORMATION (EXAMPLE: SNON)

SNO

SERIES

SNO = Splendore Normally On

HOUSING COLOR

W = White
B = Black
A = Aluminum
G = Gunmetal
BR = Ornamental Bronze
AC = Aged Copper
VG = Velvet Green
N = Nickel

Consult factory for other colors.

INPUT VOLTAGE OPTIONS

Blank = 120/277 VAC
No Emergency
2CKT1 = 120/120 2 Circuit
2CKT2 = 277/277 2 Circuit

FACTORY INSTALLED OPTIONS

TP = Tamperproof

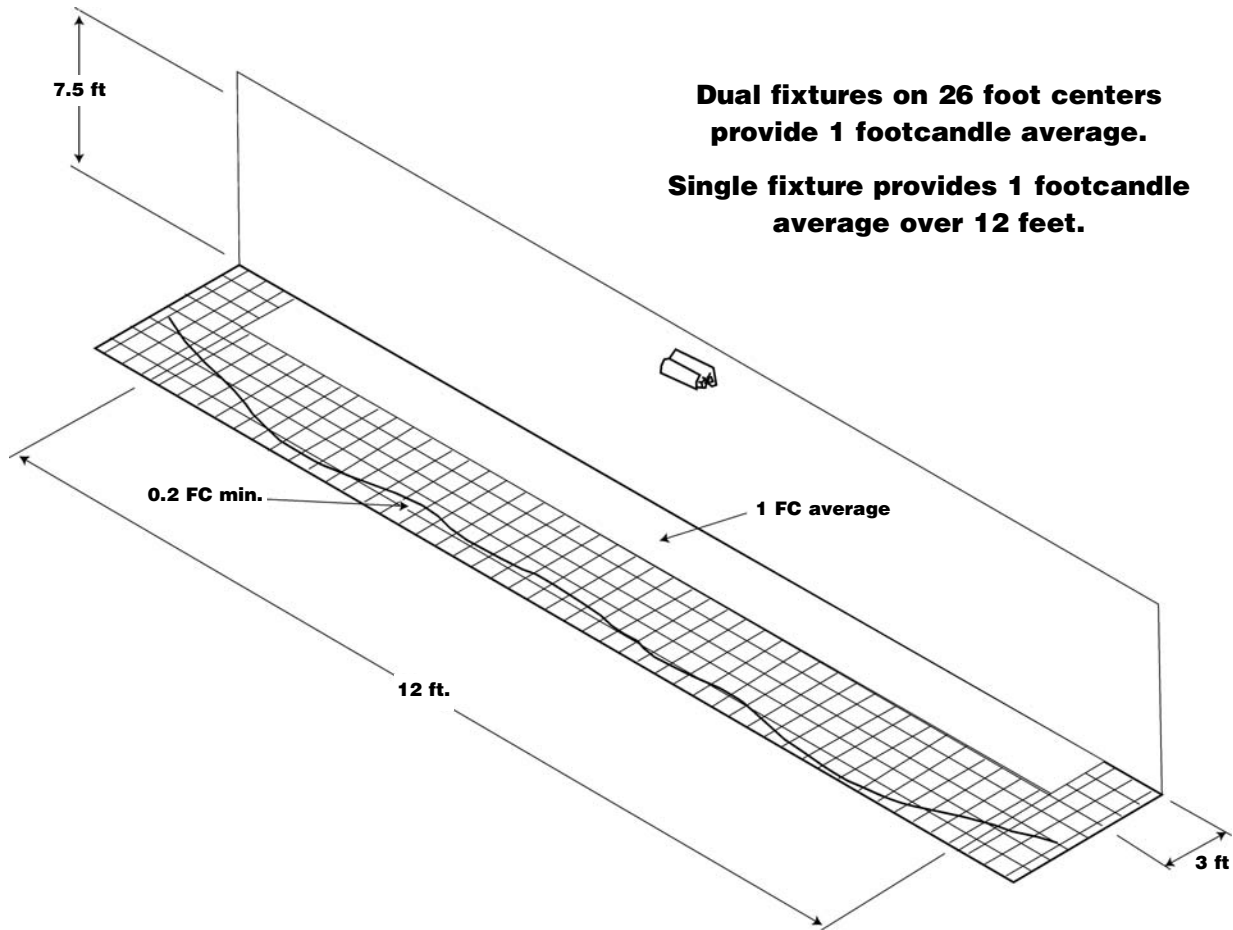
ACCESSORIES (order as a separate line item)

T10TPTOOL = Tamperproof Tool with Bit

Specification Data for Splendore Normally On Architectural Lighting Unit

OPTICS*

(Wall mounted 7 1/2' AFF)



*The optics layout is intended to be used as reference only. Standard reflectances used were 80/50/20. Chloride is not responsible for site specific conditions that may alter the results.

SUGGESTED SPECIFICATION

Furnish and install Chloride's lighting model _____. The unit shall be constructed to meet Underwriters Laboratories, Inc. Standard 924 and must be installed to conform to Article 700 of the National Electrical Code (NEC).

INSTALLATION AND OPERATION – Unit shall be easily field connected to a 120 or 277 VAC, 60 hertz, unswitched power source. Installation must comply with the NEC as well as other applicable codes. Optional 2-circuit inputs are available for egress lighting and powered by a generator or inverter system.

ILLUMINATION – Illumination shall be provided by an engineered Miro 4 reflector and two three-watt white LED lamps. The LED lamps shall be capable of being controlled by a wall switch or dimmer/dimming circuit. The two circuit option shall provide either a 120/120 VAC or 277/277 VAC dual circuit to accommodate normally on lighting applications with an available feed from a generator or AC inverter system for egress lighting. Emergency illumination is automatic when the auxiliary line is active and is independent of the load switch or dimmer setting.

HOUSING – Housing construction shall be of cast and extruded aluminum. The unit shall be available in multiple colors and finishes. The unit shall be wall mounted to a standard 3-1/2" octagonal junction box.



CHLORIDE
SYSTEMS

272 West Stag Park Service Road • Burgaw NC 28425
Telephone: (910) 259 1000 • Facsimile: (800) 258 8803
www.chloridesys.com

C1364R9
10/10 IH