

CHLORIDE SYSTEMS

TYPE: _____

CATALOG NO.: _____

GENERAL DESCRIPTION

Fusion is a fully recessed, architectural emergency lighting unit. Suitable for wall or ceiling mounting, Fusion remains unobtrusive even when illuminated. Fusion provides an alternative to standard wall mounted emergency lighting. Fusion meets the Buy American requirements.

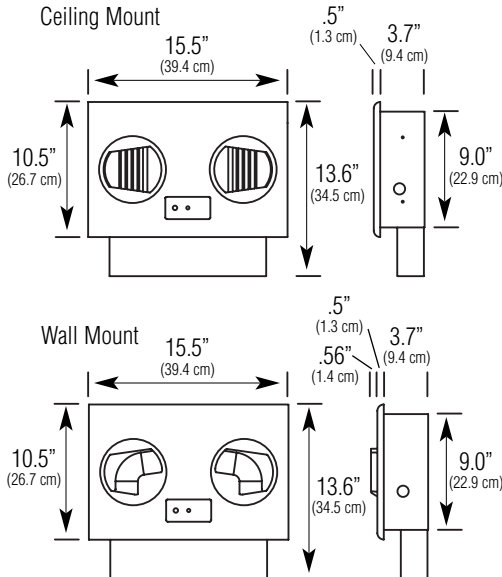
ILLUMINATION

Illumination is provided by two high-performance 35 watt MR16 lamps combined with a reflector system. Optical assemblies can be rotated from 0° to 90° for corner installations. When using multiple fixtures, wall mounted versions can generate an average of 1 footcandle of emergency illumination over a 4' x 40' egress path, while ceiling mounted versions can broadcast an average of 1 footcandle over a 6' x 90' egress path. The lamps remain hidden during emergency illumination. IES photometric data files are available upon request.

INSTALLATION

The Fusion is supplied with ceiling mount optics. Wall mount units require the wall mount lens kit accessory (WMLK). Mechanical or sheetrock ceiling installation is enabled using optional bar hangers or structural support wire (supplied by others).

DIMENSIONS

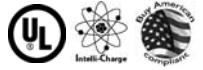


Cut-out dimensions are 14 1/4" x 9 1/4"
Dimensions are approximate and subject to change.

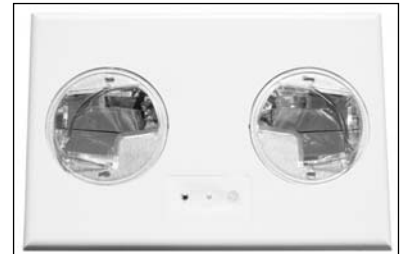
Fusion

Architectural Fully Recessed Emergency Lighting

12 Volt, 72 Watt Units Sealed Lead Calcium Battery



SHOWN: F1WIC (ceiling version)



SHOWN: F1WIC (wall version)

HOUSING

Backbox constructed of 20 gauge galvanized steel.

Flush cover and diffusers constructed of impact-resistant polycarbonate.

Optional white or black housing is available.

Faceplate may be painted or wall-papered to match wall or ceiling decor.

Suitable for wall or ceiling mounting.

Wall mounted units can be fastened to wood or metal studs from either the left or right side.

Mechanical ceiling mounting is accomplished with grid ceiling bar hangers. (ordered separately)

INTELLI-CHARGE ELECTRONICS

120/277 VAC dual voltage input with surge protection is standard on all models.

Charging system is microprocessor driven with software embedded diagnostic routine and precision temperature compensation. See specification sheet C1059 for technical specifications for the electronics. Surge protection, brownout, AC lockout, and low voltage disconnect features are standard.

INTELLI-CHARGE SELF-TESTING DIAGNOSTICS (OPTIONAL)

The Intelli-Charge diagnostic/charging platform with self-testing mode automatically runs a one-minute self-test every 30 days and a 30-minute test on the sixth and twelfth month. A one-minute or 90-minute test may be initiated via the push to test switch on the unit or by activating the appropriate test command on the optional IR test device.

ELECTRICAL SPECIFICATIONS

Input power requirements
.27 amps (120 VAC), .13 amps (277 VAC)

BATTERY

Maintenance-free, sealed lead calcium batteries

Supplies 90 minutes of emergency power

Estimated service life of 5 to 7 years at an operating temperature range of 65°F (19°C) to 85°F (30°C).

CODE COMPLIANCE

UL 924 listed for insulated ceiling systems (IC rated)
NFPA 101, NEC, BOCA, OSHA, and IBC illumination standards

Meets ADA specifications for wall mounted lighting fixtures

WARRANTY

Three year full electronics warranty

One year full plus four year prorated lead calcium battery warranty

ORDERING INFORMATION (EXAMPLE: F1WIC)

F	1		IC	—	
SERIES	WATTAGE	HOUSING COLOR	MODEL DESIGNATOR	FACTORY INSTALLED OPTIONS	
F = Fusion Concealed Emergency Unit	1 = 72 watts	W = White B = Black	IC = Intelli-Charge Diagnostics	EX = Special Transformer (must specify voltage & frequency) ¹ T = Self-Testing Diagnostics (non-audible) TA = Audible Self-Testing Diagnostics TD = Time Delay ² TP = Tamperproof	

NOTES:
1) Some options impact UL listing. Consult factory for specifics.
2) 15 minute time delay

ACCESSORIES (order as a separate line item)

FBHK = Bar Hanger Kit for Mechanical Ceilings
T15TPTOOL = Tamperproof Screwdriver
WMLK = Wall Mount Lens Kit
CMLK = Ceiling Mount Lens Kit
RPLTSW = Remote Test Switch Kit for Single Gang Wall Box 120 VAC
ICIR = Intelli-Charge Infra-Red Remote

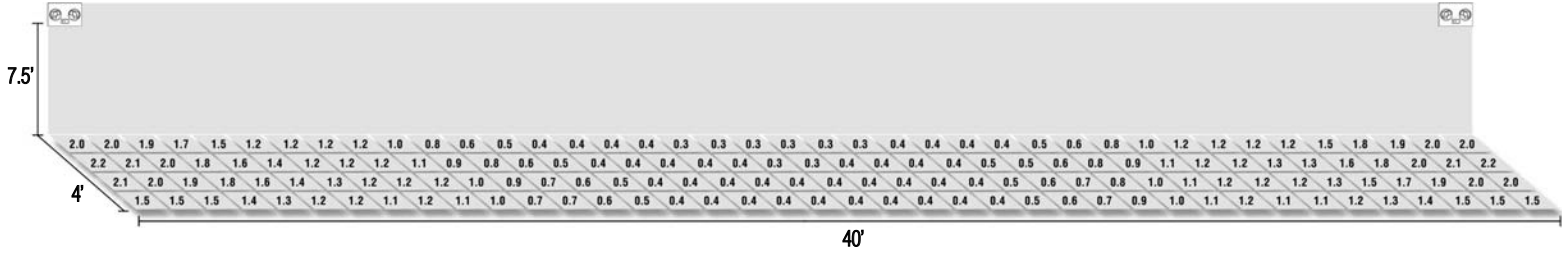
Specification Data for Fusion 72W Concealed Emergency Lighting

PERFORMANCE

I.E.S. format photometric data files are available from our website and support most lighting layout application software.
 Contact: Chloride Technical Service for specific layout assistance.

OPTICS

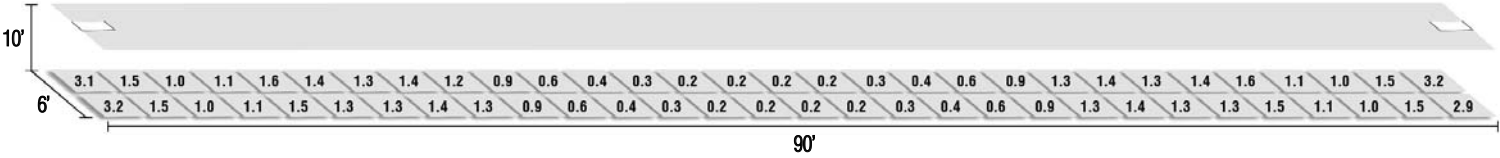
Recessed Wall Mount Version, 7.5' AFF, Two Fixtures



Average initial footcandles at floor = 1.00 Minimum initial footcandles at floor = .3
 Maximum initial footcandles at floor = 2.2 Maximum to minimum ratio = 7.33

OPTICS

Recessed Ceiling Mount Version, 10' AFF, Two Fixtures



Average initial footcandles at floor = 1.07 Minimum initial footcandles at floor = .2
 Maximum initial footcandles at floor = 4.8 Maximum to minimum ratio = 24.00

Recessed ceiling mount performance was performed in an open environment. Wall reflectance will increase performance.



SHOWN: F1WIC
 (ceiling version before installation)



SHOWN: F1WIC
 (wall version before installation)

SUGGESTED SPECIFICATION

Furnish and install Chloride's concealed emergency lighting model _____. The unit shall be constructed to meet Underwriter's Laboratories, Inc. Standard #924, IC rated, and must be installed to conform to Article 700 of the National Electrical Code (NEC).

INSTALLATION AND OPERATION - Unit shall be easily field connected to a 120 or 277 VAC, 60 hertz, unswitched power source. Installation must comply with the NEC as well as other applicable codes. Upon utility power failure or brownout, the unit shall automatically provide emergency battery power and maintain the stated illumination level and output wattage for a minimum period of 90 minutes. Upon restoration of utility power, the charging circuitry shall restore the battery to full charge within UL 924 requirements following a rated discharge of not more than 90 minutes. The unit shall not have any moving mechanisms during emergency operation. The unit shall provide universal wall or ceiling mounting.

ELECTRONICS - All models shall be provided with Chloride's Intelli-Charge self-diagnostics electronics platform. Intelli-Charge will detect and notify the installer regarding incorrect wiring of the transformer primary and restrict the damaging effects from affecting the printed circuit board. The Intelli-Charge electronics package shall provide continuous, real-time monitoring of all the critical equipment functions including, but not limited to: line voltage status and condition, charger fault, transfer fault, battery fault, and lamp load fault and notify personnel with a visual indicator sequence. Optional audible diagnostics shall be available from the factory. The optional self-testing software shall satisfy the periodic testing requirements in NFPA 101, Life Safety Code as well as the International Building Code (IBC). The Intelli-Charge diagnostic/charging platform with self-testing mode automatically runs a one-minute self-test every 30 days and a 30-minute test on the sixth and twelfth month. The Intelli-Charge circuit shall continuously sample ambient temperature conditions and adjust the charging regime to compensate for typical and dramatic ambient conditions equal to 3mv/°C compensation to maximize the life of the battery. An on-board IR receiver shall be standard and pre-programmed to operate from an optional IR user interface device (available as an accessory item).

BATTERY - The battery shall be maintenance free, sealed lead calcium. The sealed lead calcium battery shall provide trouble-free operation in temperatures up to 85°F (30°C) and is supplied with a one year full warranty.

ILLUMINATION - Illumination shall be provided by two high performance 35 watt MR16 lamps combined with a reflector system. The lamps shall remain hidden during emergency illumination. When using multiple fixtures, ceiling mounted units shall produce an average of one footcandle of egress lighting along a 6' x 90' foot linear path, while wall mounted units shall produce an average of one footcandle of egress lighting along a 4' x 40' foot linear path.

HOUSING - Housing construction shall be 20 gauge galvanized steel. Product shall be available with white or black housing. Trim plate shall have the capability to be field painted or wall-papered if desired. Wall recessed units shall be secured within wood or metal stud support framework. Ceiling recessed units shall have provisions for bar hangers and/or structural cable supports. All electrical components shall be modular, and can be removed easily for service without removal of product from wall or ceiling.



CHLORIDE
 SYSTEMS

272 West Stag Park Service Road • Burgaw NC 28425
 Telephone: (910) 259 1000 • Facsimile: (800) 258 8803
 www.chloridesys.com

C1191R20
 10/10 IH