

GENERAL DESCRIPTION

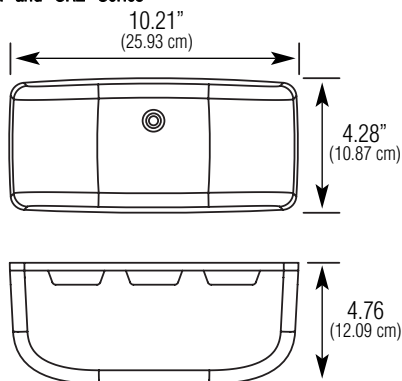
The Symmetry Series remote emergency luminaire is a contemporary emergency lighting source, suitable for wall or ceiling mounting and is ideal for damp locations. Softly rounded corners and a non-obtrusive profile allow this product to be located in any retail, commercial, institutional or public access area. The Symmetry Series meets the Buy American requirements.

ILLUMINATION

Illumination is provided by MR16 or bi-pin halogen lamps and a high performance, specular parabolic reflector design which can be adjusted 180° vertically and horizontally. A wide variety of lamps are available to meet specific egress requirements. IES photometric files are available at www.chloridesys.com.

DIMENSIONS

"SR" and "SR2" Series



Dimensions are approximate and subject to change.

Symmetry Series

Contemporary Remote Emergency Luminaire 6 or 12 Volt Operation 6 to 20 Watt Lamp Capability



SHOWN: "SR" & "SR2" SERIES

HOUSING

The product backplate is constructed of impact resistant, UL 94 V-0, 5 VA thermoplastic.

The textured cover is UV-stabilized, impact-resistant thermoplastic.

Standard backplate finish is white and is available in black as an option.

Thermoplastic backplate is designed to mount securely to a single gang recessed wall or ceiling junction box.

INSTALLATION

Furnished low voltage supply wires (12") are connected at the junction box to either a 6 VDC or 12 VDC emergency power source.

The backplate is secured via a universal knockout pattern to a recessed junction box (hardware supplied by others).

Keyhole knockout slots are provided for additional support or mounting options.

CODE COMPLIANCE

Meets ADA specifications for wall mounted lighting fixtures

NFPA 101, NEC, BOCA, OSHA and IBC illumination standards

ORDERING INFORMATION (EXAMPLE: SRH6W)



SERIES

SR = 6 Volt
Symmetry
Series
SR2 = 12 Volt
Symmetry
Series

LAMP WATTAGE/VOLTAGE

6 Volt
H6 = 6W Halogen Bi-Pin
H7 = 7W Halogen Bi-Pin
H10 = 10W Halogen Bi-Pin
H12 = 12W Halogen Bi-Pin
12 Volt
T12 = 12W Halogen Bi-Pin
H12 = 12W Halogen MR16 Flood
H20F = 20W Halogen MR16 Flood
H20S = 20W Halogen MR16 Spot

HOUSING COLOR

W = White
B = Black

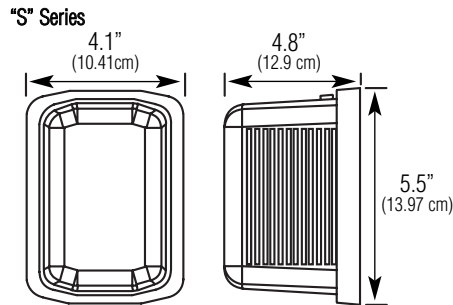
GENERAL DESCRIPTION

The "S" Series is gasketed for outdoor areas. Softly rounded corners and a non-obtrusive profile allow this product to be located in any retail, commercial, institutional or public access area. The Symmetry Series meets the Buy American requirements.

ILLUMINATION

Illumination is provided by a high performance, specular parabolic reflector design which can be adjusted 180° vertically and horizontally. A wide variety of lamps are available to meet specific egress requirements. IES photometric files are available upon request.

DIMENSIONS



Dimensions are approximate and subject to change.

Symmetry Series

Contemporary Remote Emergency Luminaire 6 or 12 Volt Operation 6 to 20 Watt Lamp Capability



HOUSING

The product backplate is constructed of impact resistant, UL 94 V-0, 5 VA thermoplastic.

Standard backplate finish is white and is available in black as an option.

Thermoplastic backplate is designed to mount securely to a single gang recessed wall or ceiling junction box.

INSTALLATION

Furnished low voltage supply wires (12") are connected at the junction box to either a 6 VDC or 12 VDC emergency power source.

The backplate is secured via furnished hardware to a recessed junction box.

Keyhole slots are provided to facilitate installation.

The lens/diffuser snaps to the backplate and can be secured without tools.

If option "G" (gasketed) is selected, additional caulking may be required around edges of the backplate to provide a proper weather seal.

CODE COMPLIANCE

Meets ADA specifications for wall mounted lighting fixtures

NFPA 101, NEC, BOCA, OSHA and IBC illumination standards



SHOWN: "S" SERIES

ORDERING INFORMATION (EXAMPLE: SH76W)

S					
SERIES	LAMP WATTAGE/VOLTAGE	BACKPLATE COLOR	FACTORY INSTALLED OPTIONS		
S = Symmetry Series	<u>6 Volt, Tungsten T-5 Wedge Base</u> T66 = 6W, 6 VDC T76 = 7W, 6 VDC T96 = 9W, 6 VDC <u>6 Volt, Halogen T-2 1/4 Wedge Base</u> H76 = 7W, 6 VDC H106 = 10W, 6 VDC H126 = 12W, 6 VDC <u>6 Volt, Halogen MR11 Style</u> MR5 = Single 5W MR10 = Double 5W	<u>12 Volt, Tungsten</u> T912 = 9W, 12 VDC T1212 = 12W, 12 VDC T1812 = 18W, 12 VDC <u>12 Volt, Halogen</u> H1212 = 12W, 12 VDC <u>12 Volt, Halogen MR16 Style¹</u> H2012 = 20W, 12 VDC	W = White B = Black	G = Gasketed for Outdoor Use ²	
<p>NOTE:</p> <p>1) Halogen 20 watt, 12 VDC lamp is a MR16 style. 2) A form fitted gasket is supplied to be installed between the luminaire and junction box to protect against water entry. This product is not recommended for use in areas where high wind or high pressure spray washdown could occur.</p>					

